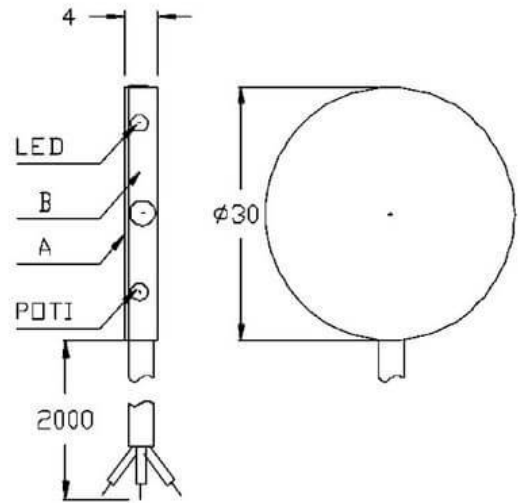


Capacitive Proximity Sensors (DC)

CBHT3013

30 (NPN NC)



| | |
|--------------------------|----------------------------------|
| Connection: | 2 m PUR/3 x 0,14 mm ² |
| Connection type: | cable |
| Outlet: | NPN NC |
| Design: | 30 |
| Diameter: | 30 |
| Installation type: | flush |
| Short protection: | yes |
| Length: | 30 mm |
| LED: | yes |
| No-load current: | 10 mA |
| Nominal voltage: | 24 VDC |
| Reproducibility: | 2 % |
| Switching distance: | 2 - 15 mm |
| Switching frequency: | 100 Hz |
| Switching hysteresis: | 15 % |
| Protection class: | IP 67 |
| Voltage drop: | 2,4 V |
| Voltage type: | VDC |
| Voltage range: | 10 - 35 V |
| Ampacity: | 300 mA |
| Temperature drift: | 10 °C |
| Environment temperature: | -30 bis 70 °C |
| Material: | steel |

Further information about this product can be found on our website, please visit:

https://schoenbuch-sensor.de/en/products/cbht3014_en/cbht3013_en/