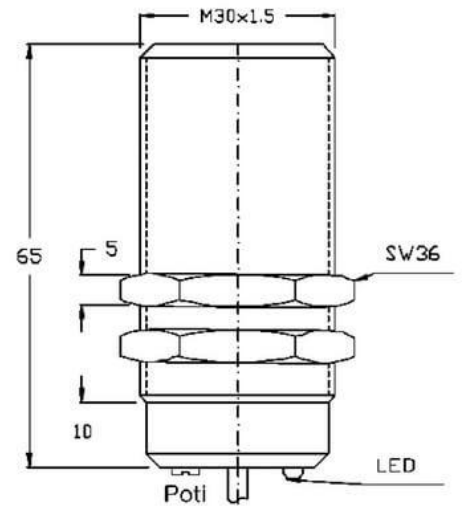


Capacitive Proximity Sensors (DC)

CBGT3047

M30 (AC NC)



Connection:	2 m PVC/2 x 0,5 mm ²
Connection type:	cable
Outlet:	AC NC
Design:	M30
Diameter:	M30x1,5
Installation type:	flush
Length:	65 mm
LED:	yes
No-load current:	2,5 mA
Reproducibility:	2 %
Switching distance:	2 - 20 mm
Switching frequency:	25 Hz
Switching hysteresis:	15 %
Protection class:	IP 67
Voltage drop:	10 V
Voltage type:	VAC
Voltage range:	44 - 250 V
Ampacity:	300 mA
Temperature drift:	10 °C
Environment temperature:	-30 bis 70 °C
Material:	plastic

Further information about this product can be found on our website, please visit:

https://schoenbuch-sensor.de/en/products/cbgt3046_en/cbgt3047_en/