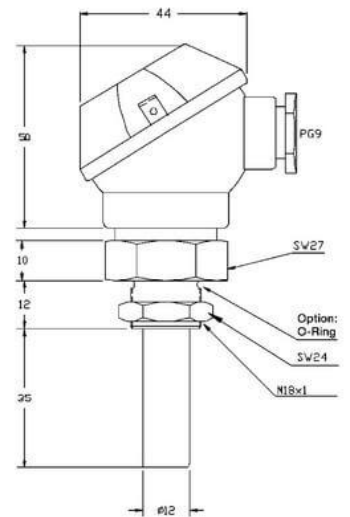


Capacitive Proximity Sensors (DC)

CFCK1812

M18 (NPN NO)



| | |
|--------------------------|--------------------------------------|
| Connection: | klemmbar |
| Connection type: | clamped |
| Outlet: | NPN NO |
| Design: | M18 |
| Diameter: | M18x1 |
| Installation type: | non flush |
| Short protection: | yes |
| Length: | 107 mm |
| LED: | * yes (-30 °C... +100 °C) |
| No-load current: | 10 mA |
| Nominal voltage: | 24 VDC |
| Reproducibility: | abhängig v. Medium |
| Switching frequency: | 5 Hz |
| Switching hysteresis: | abhängig v. Medium |
| Protection class: | Klemmraum IP 67/Sonde IP 68 - 10 bar |
| Voltage drop: | 3 V |
| Voltage type: | VDC |
| Voltage range: | 10 - 35 V |
| Ampacity: | 100 mA |
| Temperature drift: | abhängig v. Medium |
| Environment temperature: | -30 bis 125 °C |
| Material: | steel |

Further information about this product can be found on our website, please visit:

https://schoenbuch-sensor.de/en/products/cfck1814_en/cfck1812_en/