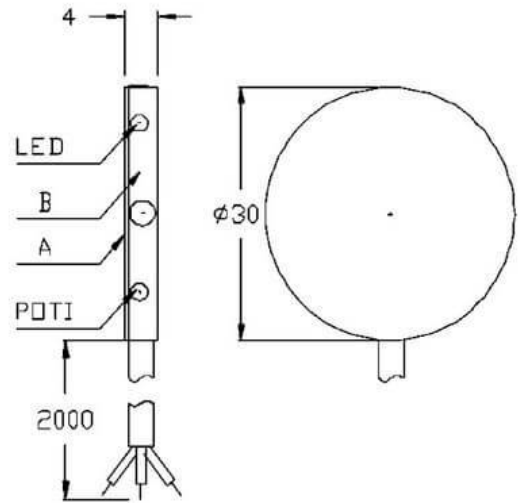


Capacitive Proximity Sensors (DC)

CBHT3012

30 (NPN NO)



Connection:	2 m PUR/3 x 0,14 mm ²
Connection type:	cable
Outlet:	NPN NO
Design:	30
Diameter:	30
Installation type:	flush
Short protection:	yes
Length:	30 mm
LED:	yes
No-load current:	10 mA
Nominal voltage:	24 VDC
Reproducibility:	2 %
Switching distance:	2 - 15 mm
Switching frequency:	100 Hz
Switching hysteresis:	15 %
Protection class:	IP 67
Voltage drop:	2,4 V
Voltage type:	VDC
Voltage range:	10 - 35 V
Ampacity:	300 mA
Temperature drift:	10 °C
Environment temperature:	-30 bis 70 °C
Material:	steel

Further information about this product can be found on our website, please visit:

https://schoenbuch-sensor.de/en/products/cbht3014_en/cbht3012_en/