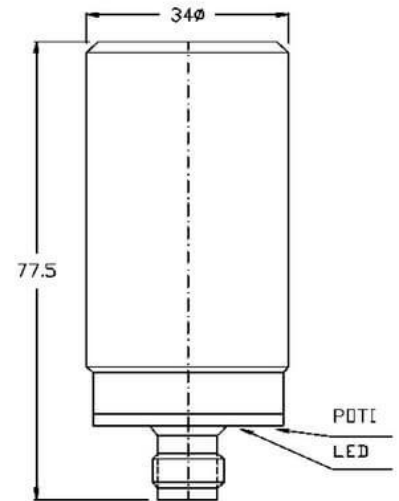


Capacitive Proximity Sensors (DC)

CBRH3415

34 (PNP NC)



Connection:	plug M12
Connection type:	plug M12
Outlet:	PNP NC
Design:	34
Diameter:	34
Installation type:	flush
Short protection:	yes
Length:	78 mm
LED:	yes
No-load current:	10 mA
Nominal voltage:	24 VDC
Reproducibility:	2 %
Switching distance:	2 - 25 mm
Switching frequency:	100 Hz
Switching hysteresis:	15 %
Protection class:	IP 67
Voltage drop:	3 V
Voltage type:	VDC
Voltage range:	10 - 35 V
Ampacity:	300 mA
Temperature drift:	10 °C
Environment temperature:	-30 bis 70 °C
Material:	plastic

Further information about this product can be found on our website, please visit:

https://schoenbuch-sensor.de/en/products/cbrh3414_en/cbrh3415_en/