



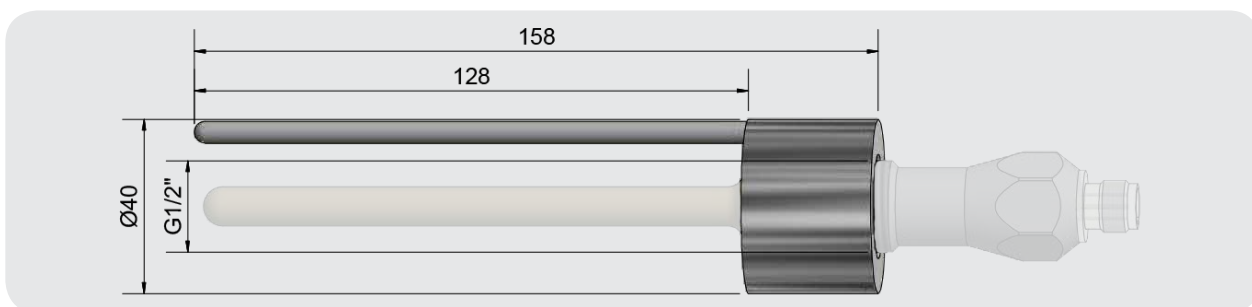
Cylindrical welding socket

- For containers and pipes
- Material: Stainless steel VA No. 1.4404 / AISI 316L
- Metal sealing
- Suitable for our capacitive sensor KA1633



Technical data

Type	A-ESM-G1/2-D40-VAc-E
Art.-No.	196 328
Material	VA 1.4404 / AISI 316L
Surface quality Ra, part in contact with the medium	0.8 µm



Made in Germany