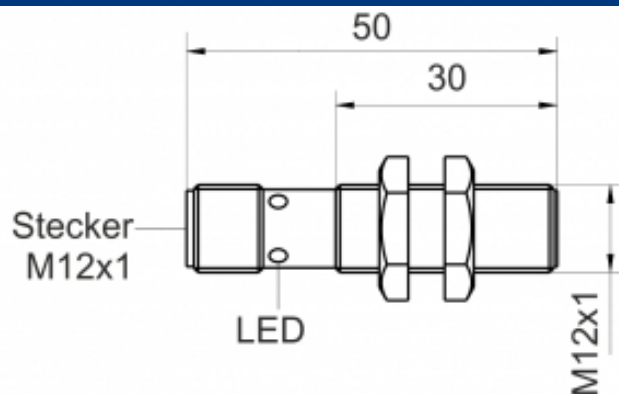
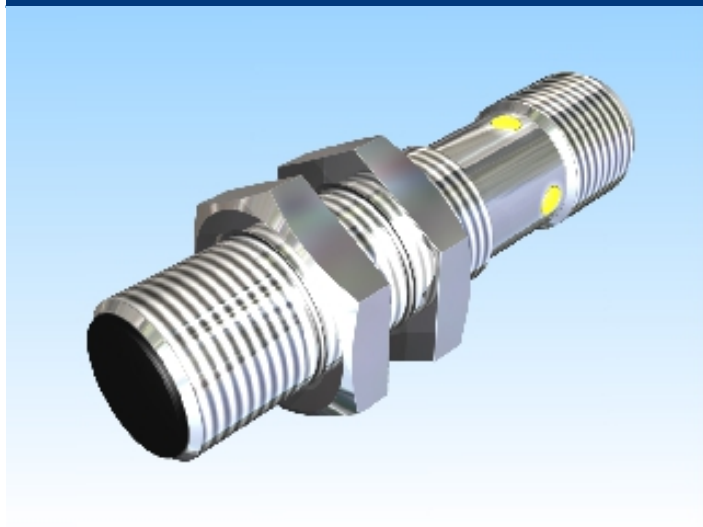





[Article Page](#)

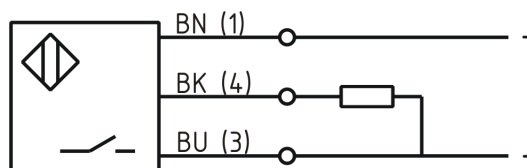
**Product Description**

**inductive sensor DC**



Name	KJ4-M12MB50-DPS-V2
Order number	08317824950
Matchcode	9982-4950
Switching distance	4 mm
Mounting	 shielded
Switch type	 N.O.
Signal Type	DC PNP
Connection	 Connector

Connection diagramm



Dimension (in mm) fine-pitch thread M12 x 50

**Technical Specification**

Special features	double sensing range
Operating voltage	10 - 30 VDC
Max. ripple	≤ 10 %
Voltage drop	2,4 V
Max. load current	200 mA
No load current	≤ 13 mA
Leakage current	< 10 μA
Switching frequency	1000 Hz

Switching hysteresis	≤ 15 %
Operating temperature	-25 ° C to 70 ° C
Temperature drift	≤ 10 %
Repeat accuracy	≤ 10 %
Switching state	LED
Short-circuit proof	yes
Overload protection	yes
Reverse voltage protection	yes
Protection category	IP67
EMC-level	DIN EN 60947-5-2:2008
Housing material	Brass, nickel plated
Material active face	PBT
Utilisation category	DC 13
Termination	Connector M12 4pol
FIT / MTTF	51,90 / 2200y

**Errors and omissions excepted**