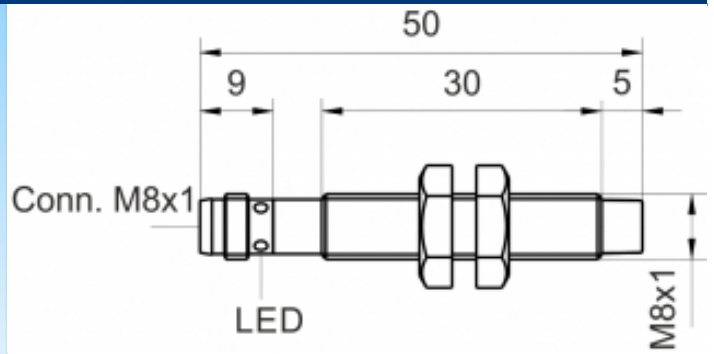
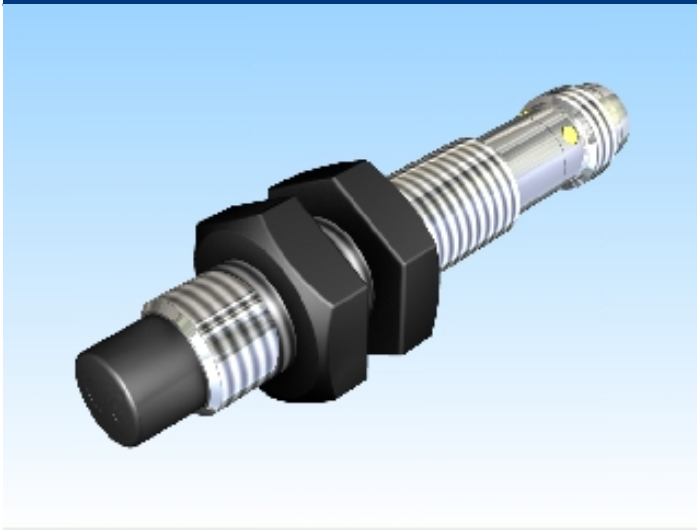


[Article Page](#)

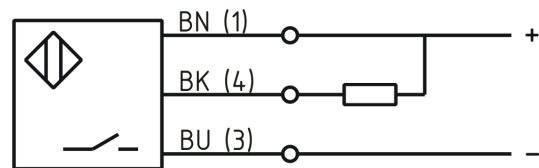
**Product Description**

**inductive sensor DC**



Name	KJ2-M8MN50-DNS-V1
Order number	08317610564
Matchcode	9961-0564
Switching distance	2 mm
Mounting	non shielded
Switch type	N.O.
Signal Type	DC NPN
Connection	connector M8

Connection diagramm



Dimension (in mm)	fine-pitch thread M8 x 50
-------------------	---------------------------

**Technical Specification**

Operating voltage	10 - 30 VDC
Max. ripple	≤ 10 %
Voltage drop	2,4 V
Max. load current	200 mA
No load current	≤ 10 mA
Leakage current	≤ 10 μA
Switching frequency	2000 Hz
Switching hysteresis	≤ 15 %
Operating temperature	-25 ° C to 70 ° C

Temperature drift	≤ 10 %
Repeat accuracy	≤ 5 %
Swiching state	LED
Short-circuit proof	yes
Overload protection	yes
Reverse voltage protection	yes
Protection category	IP67
EMC-level	DIN EN 60947-5-2: 2008
Housing material	Brass, nickel plated
Material active face	ULTRAMID B3ZG3
Utilisation category	DC 13
Termination	Connector M8 3pin

**Errors and omissions exceptet**