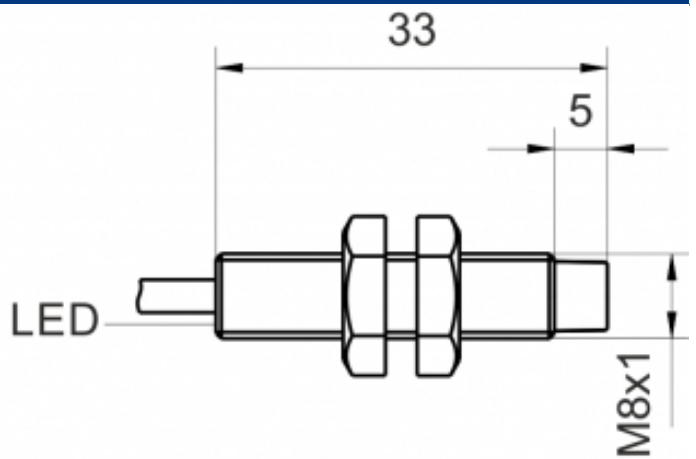
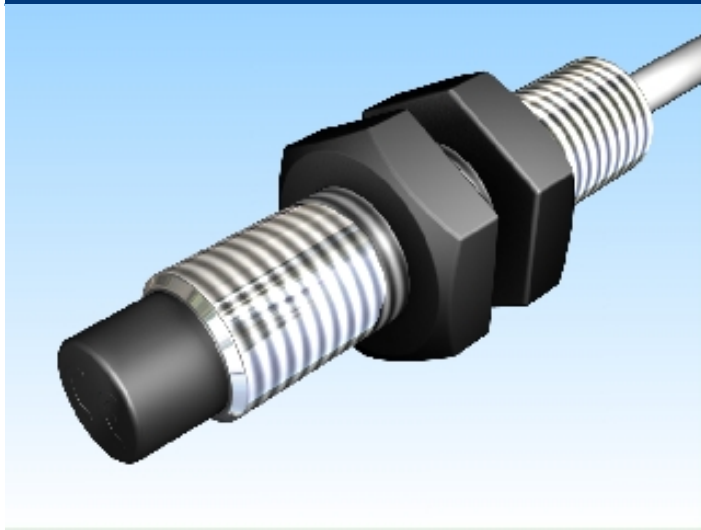





[Article Page](#)

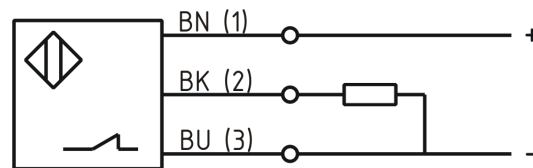
Product Description

inductive sensor DC



Name	KJ3-M8MN33-DPÖ
Order number	08317811600
Matchcode	9981-1600
Switching distance	3 mm
Mounting	 non shielded
Switch type	 N.C.
Signal Type	DC PNP
Connection	 Cable

Connection diagramm



Dimension (in mm)	fine-pitch thread M8 x 33
-------------------	---------------------------

Technical Specification

Operating voltage	10 - 30 VDC
Max. ripple	≤ 10 %
Voltage drop	2,4 V
Max. load current	200 mA
No load current	≤ 13 mA
Leakage current	≤ 10 μA
Switching frequency	200 Hz
Switching hysteresis	≤ 10 %

Operating temperature	-25 ° C to 70 ° C
Temperature drift	≤ 10 %
Repeat accuracy	≤ 5 %
Swiching state	LED
Short-circuit proof	yes
Overload protection	yes
Reverse voltage protection	yes
Protection category	IP67
EMC-level	DIN EN 60947-5-2: 2008
Housing material	Brass, nickel plated
Material active face	Ultramid B3ZG3
Cable length	2 m
Utilisation category	DC 13
Cable material	PVC grau LIYY
Cable cross	3x0.14 mm ²

Errors and omissions exceptet