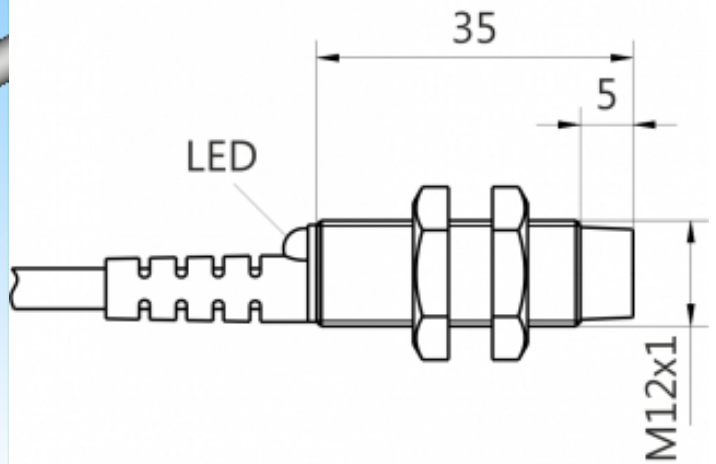





[Article Page](#)

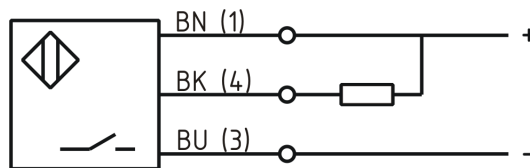
Product Description

inductive sensor DC



Name	KJ4-M12MN35-DNS
Order number	08317822300
Matchcode	9982-2300
Switching distance	4 mm
Mounting	 non shielded
Switch type	 N.O.
Signal Type	DC NPN
Connection	 Cable

Connection diagramm



Dimension (in mm)	fine-pitch thread M12 x 35
-------------------	----------------------------

Technical Specification

Operating voltage	10 - 30 VDC
Max. ripple	≤ 10 %
Voltage drop	2,4 V
Max. load current	200 mA
No load current	≤ 13 mA
Leakage current	< 10 μA
Switching frequency	1000
Switching hysteresis	≤ 15 %

Operating temperature	-25 ° C to 70 ° C
Temperature drift	≤ 10 %
Repeat accuracy	≤ 10 %
Swiching state	LED
Short-circuit proof	yes
Overload protection	yes
Reverse voltage protection	yes
Protection category	IP67
EMC-level	DIN EN 60947-5-2:2008
Material active face	PA 6.6
Cable length	2 m
Cable material	PVC LIYY
Termination	2m PVC 3x0,34mm ²
FIT / MTTF	44,93 / 2541y

Errors and omissions exceptet