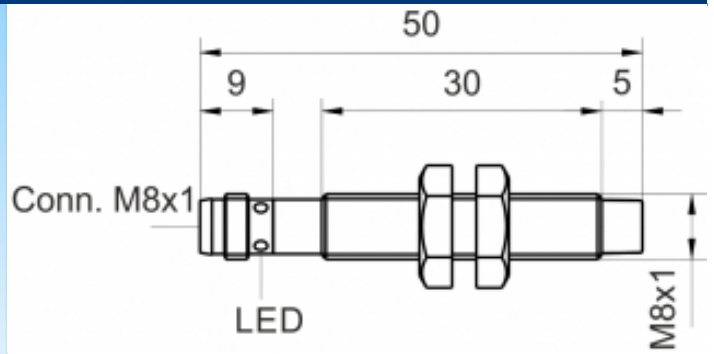
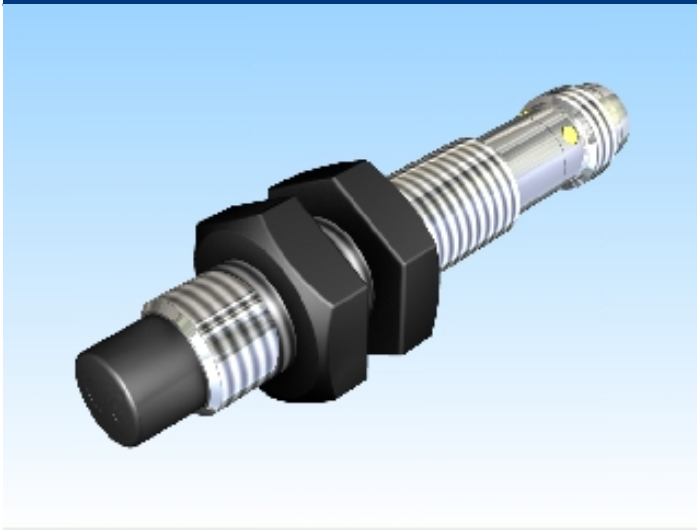




[Article Page](#)

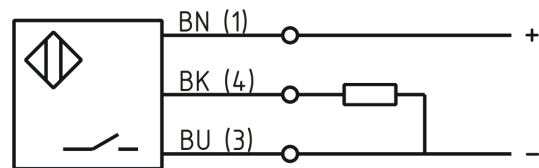
Product Description

inductive sensor DC



| | |
|--------------------|--|
| Name | KJ3-M8MN50-DPS-V1 |
| Order number | 08317811264 |
| Matchcode | 9981-1264 |
| Switching distance | 3 mm |
| Mounting |  non shielded |
| Switch type |  N.O. |
| Signal Type | DC PNP |
| Connection | connector M8 |

Connection diagramm



| | |
|-------------------|---------------------------|
| Dimension (in mm) | fine-pitch thread M8 x 50 |
|-------------------|---------------------------|

Technical Specification

| | |
|-----------------------|-------------------|
| Operating voltage | 10 - 30 VDC |
| Max. ripple | ≤ 10 % |
| Voltage drop | 2,4 V |
| Max. load current | 200 mA |
| No load current | ≤ 13 mA |
| Leakage current | ≤ 10 μA |
| Switching frequency | 2000 Hz |
| Switching hysteresis | ≤ 10 % |
| Operating temperature | -25 ° C to 70 ° C |

| | |
|----------------------------|------------------------|
| Temperature drift | ≤ 10 % |
| Repeat accuracy | ≤ 5 % |
| Swiching state | LED |
| Short-circuit proof | yes |
| Overload protection | yes |
| Reverse voltage protection | yes |
| Protection category | IP67 |
| EMC-level | DIN EN 60947-5-2: 2008 |
| Housing material | Brass, nickel plated |
| Material active face | Ultramid B3ZG3 |
| Utilisation category | DC 13 |
| Termination | Connector M8 3pin |

Errors and omissions exceptet