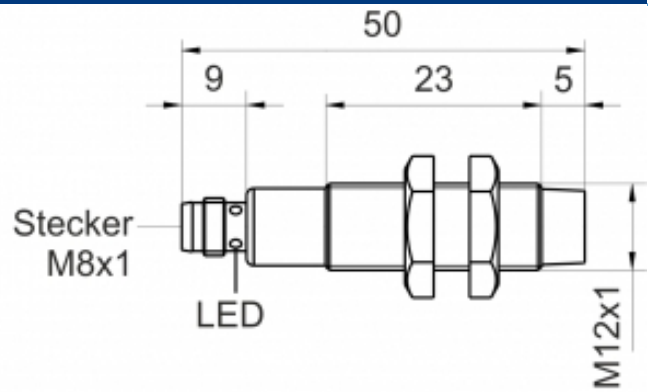
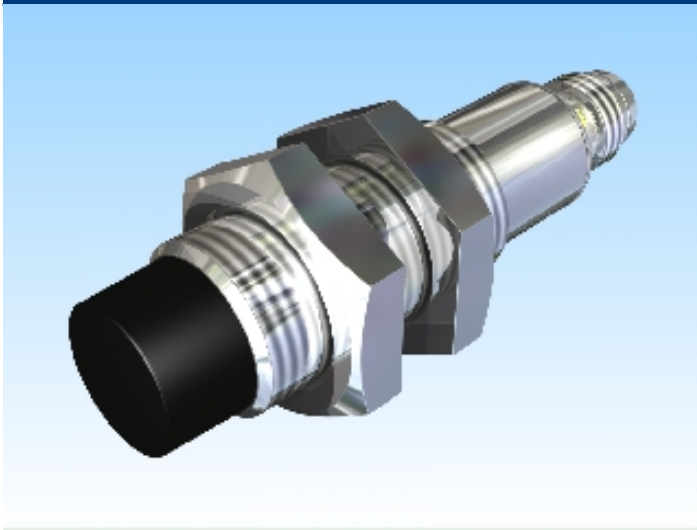


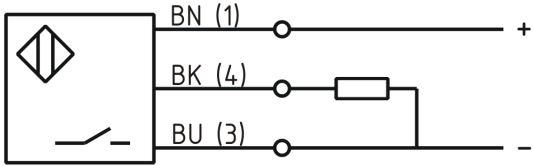


[Article Page](#)

Product Description

inductive sensor DC



Name	KJ6-M12MN50-DPS-V1
Order number	08310000736
Switching distance	6 mm
Mounting	 non shielded
Switch type	 N.O.
Signal Type	DC PNP
Connection	connector M8
Connection diagramm	

Dimension (in mm)	fine-pitch thread M12 x 50
-------------------	----------------------------

Technical Specification

Special features	double sensing range
Operating voltage	10 - 30 VDC
Max. ripple	≤ 10 %
Voltage drop	2,4 V
Max. load current	200 mA
No load current	≤ 13 mA
Leakage current	< 10 μA
Switching frequency	800 Hz
Switching hysteresis	≤ 15 %
Operating temperature	-25 ° C to 70 ° C

Temperature drift	≤ 10 %
Repeat accuracy	≤ 10 %
Swiching state	LED
Time delay	300 ms
Short-circuit proof	yes
Overload protection	yes
Reverse voltage protection	yes
Protection category	IP67
EMC-level	DIN EN 60947-5-2:2008
Housing material	Brass, nickel plated
Material active face	Pocan KU 2-7503/1 + Batch RAL 9004LS
Utilisation category	DC 13
Contact material	Cu
Contact surface material	NiAu
Termination	Connector M8 3pin
FIT / MTTF	53,34 / 2140

Errors and omissions exceptet