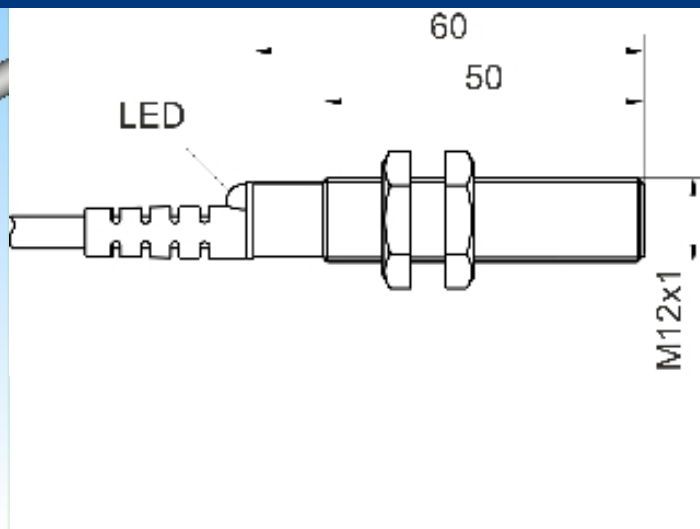
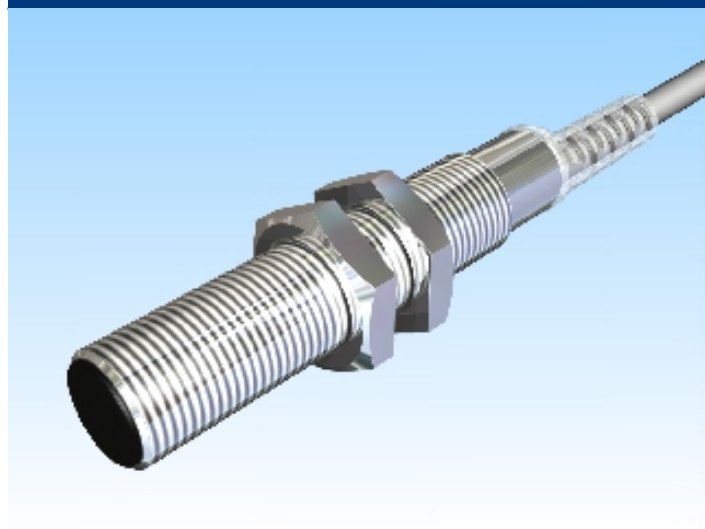


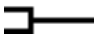


[Article Page](#)

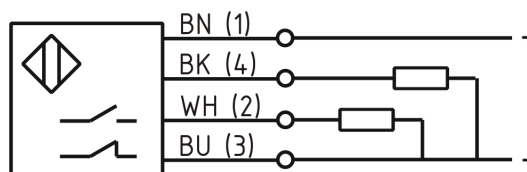
Product Description

inductive sensor DC



Name	KJ2-M12MB60-DPA
Order number	08317626200
Matchcode	9962-6200
Switching distance	2 mm
Mounting	 shielded
Switch type	 Changeover
Signal Type	DC PNP
Connection	 Cable

Connection diagramm



Dimension (in mm) fine-pitch thread M12 x 60

Technical Specification

Operating voltage	10 - 30 VDC
Max. ripple	≤ 10 %
Voltage drop	2,4 V
Max. load current	200 mA
No load current	≤ 13 mA
Leakage current	≤ 10 µA
Switching frequency	1000 Hz
Switching hysteresis	≤ 15 %

Operating temperature	-25 ° C to 70 ° C
Temperature drift	≤ 10 %
Repeat accuracy	≤ 10 %
Swiching state	LED
Time delay	100 ms
Short-circuit proof	yes
Overload protection	yes
Reverse voltage protection	yes
Protection category	IP67
EMC-level	DIN EN 60947-5-2:2008
Housing material	Brass, nickel plated
Material active face	PA 6.6
Utilisation category	DC 13
Cable material	PVC LIYY grau
Termination	2m PVC 4x0,34mm ²
FIT / MTTF acc. Siemens Norm 29500	65,91 / 1732y

Errors and omissions exceptet