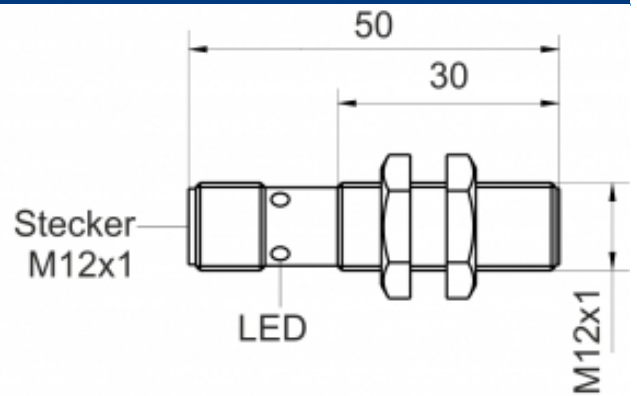
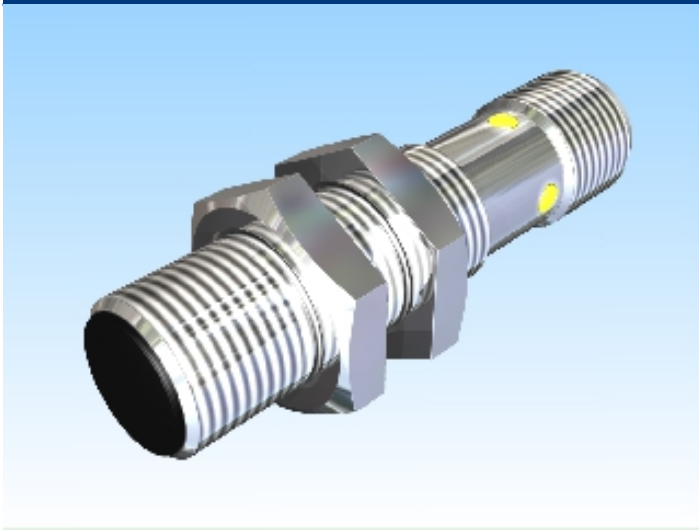




[Article Page](#)

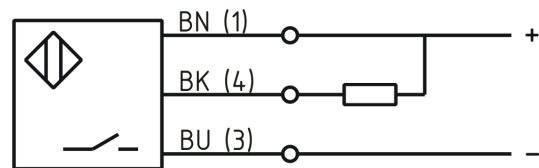
Product Description

inductive sensor DC



Name	KJ2-M12MB50-DNS-V2
Order number	08317822165
Matchcode	9982-2165
Switching distance	2 mm
Mounting	 shielded
Switch type	 N.O.
Signal Type	DC NPN
Connection	Connector 8pin

Connection diagramm



Dimension (in mm)	fine-pitch thread M12 x 50
-------------------	----------------------------

Technical Specification

Operating voltage	10 - 30 VDC
Max. ripple	≤ 10 %
Voltage drop	2,4 V
Max. load current	200 mA
No load current	≤ 13 mA
Leakage current	< 10 μA
Switching frequency	2000 Hz
Switching hysteresis	≤ 15 %
Operating temperature	-25 ° C to 70 ° C

Temperature drift	≤ 10 %
Repeat accuracy	≤ 10 %
Swiching state	LED
Short-circuit proof	yes
Overload protection	yes
Reverse voltage protection	yes
Protection category	IP67
EMC-level	DIN EN 60947-5-2:2008
Housing material	Brass, nickel plated
Material active face	PA 6.6
Utilisation category	DC 13
Termination	Connector M12 4pol
FIT / MTTF	47,96 / 2380y

Errors and omissions exceptet