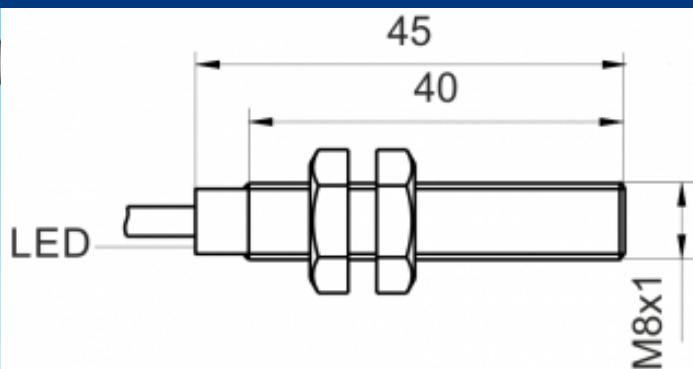


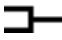


[Article Page](#)

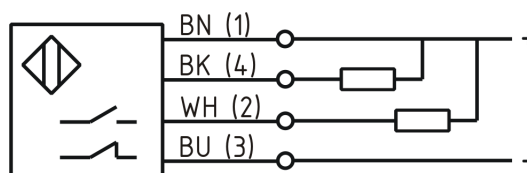
**Product Description**

**inductive sensor DC**



Name	SJ1,5-M8EB45-DNA
Order number	08313081550
Switching distance	1,5 mm
Mounting	 shielded
Switch type	 Changeover
Signal Type	DC NPN
Connection	 Cable

Connection diagramm



Dimension (in mm)	fine-pitch thread M8 x 45
-------------------	---------------------------

**Technical Specification**

Operating voltage	10 - 30 VDC
Max. ripple	≤ 10 %
Voltage drop	1 V
Max. load current	200 mA
No load current	≤ 10 mA
Leakage current	≤ 10 μA
Switching frequency	2000 Hz
Switching hysteresis	≤ 15 %
Operating temperature	-25 ° C to 70 ° C

Temperature drift	≤ 10 %
Repeat accuracy	≤ 1,0 %
Swiching state	LED
Short-circuit proof	yes
Overload protection	yes
Reverse voltage protection	yes
Protection category	IP67
EMC-level	DIN EN 60947-5-2: 2008
Housing material	Stainless steel V2A
Material active face	POM
Cable length	2 m
Utilisation category	DC 13
Cable material	PVC grau LIYY
Cable cross	4x0.14 mm <sup>2</sup>

**Errors and omissions exceptet**