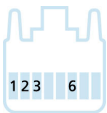
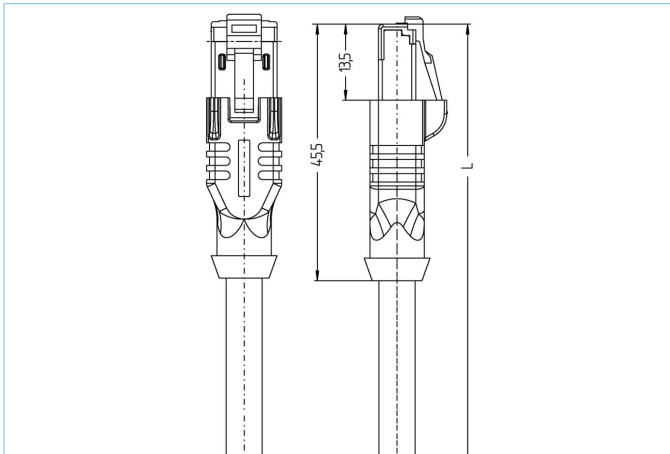


## Double-ended cordset, 100 MBit/s, Industrial Ethernet, RJ45, shielded



**SERCOS**  
the automation bus



### Product data

Item description	IE-RJ45SS4.003-1-IE-RJ45SS4.003/S3800
Item-No.	8062326
Length	1m
Customs tariff-No.	85444290
Step-File	IE-RJ45SS4-m-IE-RJ45SS4.stp
EAN	4047106148652
Label-carrier	without Label-carrier

### Technical data

	A-side	B-side
Connector	male, straight, RJ45	male, straight, RJ45
Number of pins	4	4
Pin assignment	1 YE, 2 OG, 3 WH, 6 BU	1 YE, 2 OG, 3 WH, 6 BU
Allocation	Industrial	Industrial
Rated voltage	50V	50V
Current load (at 40°C)	1A	1A
Insulation resistance	≥10 <sup>9</sup> Ω	≥10 <sup>9</sup> Ω
Transmission features	Cat5e	Cat5e
Ambient temperature product	-40°C...+70°C	-40°C...+70°C
Contact material	Metal, CuZn, gold-plated	Metal, CuZn, gold-plated
Contact-carrier material	Plastic	Plastic
Grip body material	Plastic, TPE, BK	Plastic, TPE, BK
Shielding	with shielding	with shielding
Material of shielding housing	Metal, CuZn, nickel-plated	Metal, CuZn, nickel-plated
Standards	IEC 60603-7-5	IEC 60603-7-5
Degree of protection (mounted)	IP20	IP20
Mechanical life-cycle	>750 mating cycles	>750 mating cycles
Degree of pollution	1	1

### Advanced technical data UL

Cable		Cat5e, PUR, UL, S3800, Sercos
Shielded PUR-cable for industrial applications. The cable is CMX-verified or meets the Cat5e (electrical properties of EN 50288-2-1) requirements. Materials and a constructive setup allow for increased mechanical stresses (abrasion, bending, vibrations etc.) of the cable. A drag-chain application with up to 3million bending cycles is possible.		
Outer diameter of jacket		6,50 mm
Cable-jacket material		PUR
Jacket color		RD, similar RAL3020
Wire cross-section		1 x 4 x AWG22, star quad
Wire insulation material		FRNC
Wire colors		OG, WH, BU, YE
Conductor structure		7 x 0.254 mm
Bending radius (fixed)		4 x Ø-cable
Bending radius (repeated)		8 x Ø-cable
Temperature range (repeated)		-40°C...+80°C
Temperature range (fixed)		-40°C...+80°C
Temperature range (drag chain)		-40°C...+80°C
Drag chain-application		up to 3 Mio. bending cycles
Halogen-free		Yes
Transmission features		Cat5e
Rated voltage cable		300 V UL rating
Special features		flame retardant, seawater resistant, recyclable, LABS free, RoHs compliant, acid- and alkali resistant, ozone resistant, UV resistant, hydrolysis proof, drag chain-adapted, halogen free, oil resistant, high flexibility, microbes resistant
Classification		
eCl@ss 6.0		27061801
eCl@ss 7.0		27060308
eCl@ss 8.0		27060308
eCl@ss 9.0		27060308
ETIM 5.0		EC002599
ETIM 6.0		EC002599
Accessories		
Unlocking clip for RJ45		
<a href="https://www.escha.net/en/products/standard/accessories-for-connectivity/?p=1&amp;o=3&amp;n=15&amp;f=807">https://www.escha.net/en/products/standard/accessories-for-connectivity/?p=1&amp;o=3&amp;n=15&amp;f=807</a>		