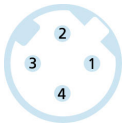
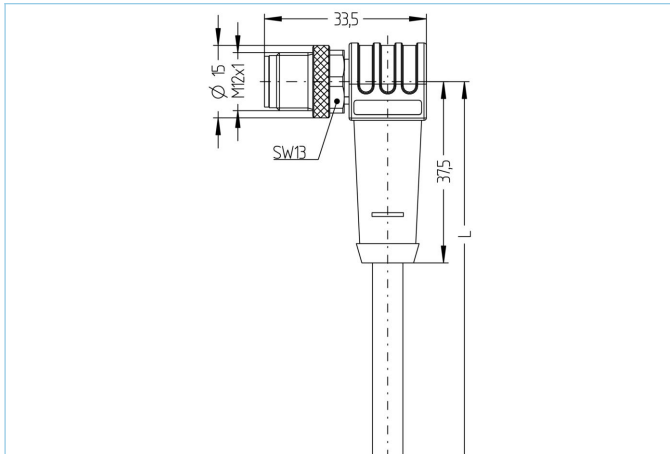


## Double-ended cordset, 100 MBit/s, Industrial Ethernet, M12, shielded



**SERCOS**  
the automation bus



### Product data

|                    |                                       |
|--------------------|---------------------------------------|
| Item description   | IE-WWASSY4.029-2-IE-WWASSY4.029/S3800 |
| Item-No.           | 8055506                               |
| Length             | 2m                                    |
| Customs tariff-No. | 85444290                              |
| Step-File          | IE-WWASSY4-m-IE-WWASSY4.stp           |
| EAN                | 4047106139582                         |
| Label-carrier      | 2 pieces                              |

### Technical data

|                                | A-side                     | B-side                     |
|--------------------------------|----------------------------|----------------------------|
| Connector                      | male, angled, M12          | male, angled, M12          |
| Number of pins                 | 4                          | 4                          |
| Pin assignment                 | 1 YE, 2 WH, 3 OG, 4 BU     | 1 YE, 2 WH, 3 OG, 4 BU     |
| Coding of                      | D                          | D                          |
| Rated voltage                  | 60V                        | 60V                        |
| Current load (at 40°C)         | 4A                         | 4A                         |
| Insulation resistance          | ≥10 <sup>9</sup> Ω         | ≥10 <sup>9</sup> Ω         |
| Resistance                     | ≤ 5mΩ                      | ≤ 5mΩ                      |
| Transmission features          | Cat5e                      | Cat5e                      |
| Ambient temperature product    | -30°C...+90°C              | -30°C...+90°C              |
| Contact material               | Metal, CuZn, gold-plated   | Metal, CuZn, gold-plated   |
| Contact-carrier material       | Plastic, TPU, BK           | Plastic, TPU, BK           |
| Grip body material             | Plastic, TPU, BK           | Plastic, TPU, BK           |
| Coupling nut material          | Metal, CuZn, nickel-plated | Metal, CuZn, nickel-plated |
| Shielding                      | with shielding             | with shielding             |
| Standards                      | IEC 61076-2-109            | IEC 61076-2-109            |
| Degree of protection (mounted) | IP65, IP67, IP68           | IP65, IP67, IP68           |
| Mechanical life-cycle          | >100 mating cycles         | >100 mating cycles         |
| Degree of pollution            | 2                          | 2                          |

### Advanced technical data UL

|               |                       |
|---------------|-----------------------|
| Rated voltage | 250V <sub>AC/DC</sub> |
| Rated current | 4,0A                  |

### Cable Cat5e, PUR, UL, S3800, Sercos

Shielded PUR-cable for industrial applications. The cable is CMX-verified or meets the Cat5e (electrical properties of EN 50288-2-1) requirements. Materials and a constructive setup allow for increased mechanical stresses (abrasion, bending, vibrations etc.) of the cable. A drag-chain application with up to 3million bending cycles is possible.

|                                |  |
|--------------------------------|--|
| Outer diameter of jacket       | 6,50 mm  |
| Cable-jacket material          | PUR  |
| Jacket color                   | RD, similar RAL3020  |
| Wire cross-section             | 1 x 4 x AWG22, star quad   |
| Wire insulation material       | FRNC   |
| Wire colors                    | OG, WH, BU, YE   |
| Conductor structure            | 7 x 0.254 mm   |
| Bending radius (fixed)         | 4 x Ø-cable  |
| Bending radius (repeated)      | 8 x Ø-cable  |
| Temperature range (repeated)   | -40°C...+80°C  |
| Temperature range (fixed)      | -40°C...+80°C  |
| Temperature range (drag chain) | -40°C...+80°C  |
| Drag chain-application         | up to 3 Mio. bending cycles  |
| Halogen-free                   | Yes  |
| Transmission features          | Cat5e  |
| Rated voltage cable            | 300 V UL rating  |
| Special features               | flame retardant, seawater resistant, recyclable, LABS free, RoHs compliant, acid- and alkali resistant, ozone resistant, UV resistant, hydrolysis proof, drag chain-adapted, halogen free, oil resistant, high flexibility, microbes resistant |

### Classification

|            |          |
|------------|----------|
| eCl@ss 6.0 | 27060307 |
| eCl@ss 7.0 | 27060307 |
| eCl@ss 8.0 | 27060307 |
| eCl@ss 9.0 | 27060307 |
| ETIM 5.0   | EC000830 |
| ETIM 6.0   | EC000830 |

### Accessories

#### Mounting-set, M12

<https://www.escha.net/en/Products/Standard/Accessories-for-connectivity/8047664/Mounting-set-M12-clips-and-screws-M4x8-black>

#### Torque-wrench set

<https://www.escha.net/en/Products/Standard/Accessories-for-connectivity/8055431/Torque-wrench-set-M8-M12>

#### Marking rings Ø 9mm

<https://www.escha.net/en/products/standard/accessories-for-connectivity/?p=1&o=3&n=15&f=809>