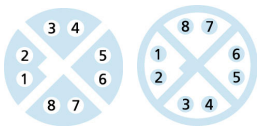
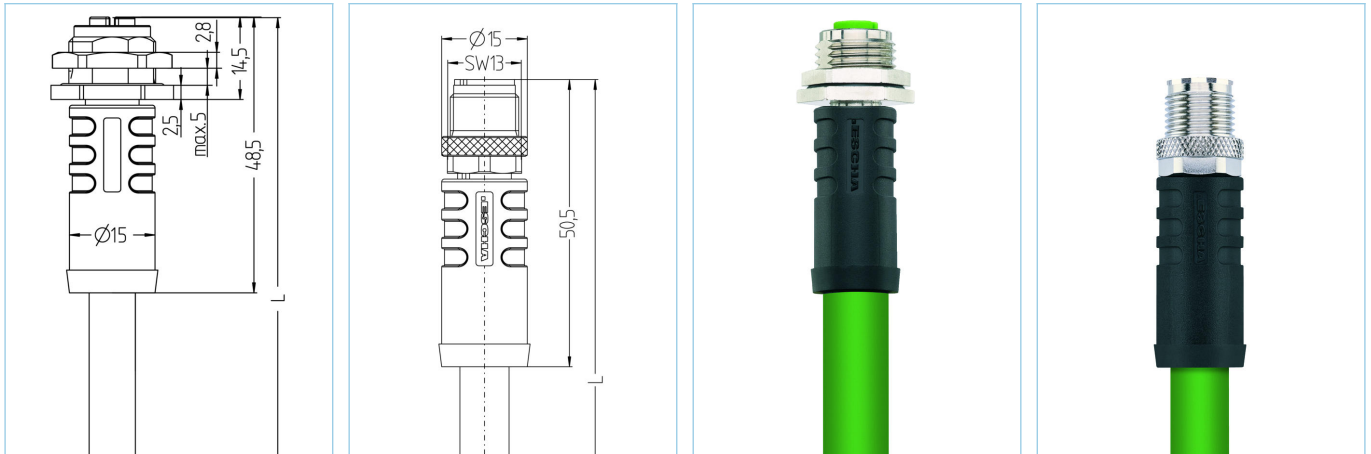


Receptacle Double-ended cordset, Receptacle M12 - M12, drag chain-adapted



Product data

| | |
|--------------------|-------------------------------------|
| Item description | IE-FKFDX8.066-5-IE-WASSX8.066/S4031 |
| Item-No. | 8063583 |
| Length | 5m |
| Customs tariff-No. | 85444290 |
| Step-File | IE-FKFDX8-L-IE-WASSX8_S403X.stp |
| EAN | 4047106237219 |

| Technical data | A-side | B-side |
|--------------------------------|--|--|
| Connector | female, straight, M12 | male, straight, M12 |
| Number of pins | 8 | 8 |
| Pin assignment | 1 WHOG, 2 OG; 3 WHGN, 4 GN; 5 WHBN, 6 BN; 7 WHBU, 8 BU | 1 WHOG, 2 OG; 3 WHGN, 4 GN; 5 WHBN, 6 BN; 7 WHBU, 8 BU |
| Coding of | X | X |
| Rated voltage | 50V _{AC} 60V _{DC} | 50V _{AC} 60V _{DC} |
| Current load (at 40°C) | 0.5A | 0.5A |
| Insulation resistance | ≥10 ⁹ Ω | ≥10 ⁹ Ω |
| Transmission features | Cat6A | Cat6A |
| Ambient temperature product | -30°C...+90°C | -30°C...+90°C |
| Contact material | Metal, CuZn, gold-plated | Metal, CuZn, gold-plated |
| Contact-carrier material | Plastic, PA, GN | Plastic, PA, transparent |
| Grip body material | Plastic, TPU, BK | Plastic, TPU, BK |
| Coupling nut material | Metal, CuZn, nickel-plated | Metal, CuZn, nickel-plated |
| Receptacle housing material | Metal, CuZn, nickel-plated | |
| Sealing (female) material | FPM/FKM | |
| Material of external sealing | NBR | |
| Shielding | with shielding | with shielding |
| Mounting direction | Back wall-mounting (incl. Fixing screw) | |
| Fastening thread | PG9 | |
| Standards | IEC 61076-2-109 | IEC 61076-2-109 |
| Degree of protection (mounted) | IP65, IP67, IP68 | IP65, IP67, IP68 |
| Mechanical life-cycle | >100 mating cycles | >100 mating cycles |
| Degree of pollution | 2 | 2 |

Advanced technical data UL

| | |
|---------------|----------------------|
| Rated voltage | 48V _{AC/DC} |
| Rated current | 0,5A |

Cable Cat6, PUR, UL, S4031, PROFINET

PROFINET 4x2xAWG26/19 Type C is a highly flexible-, high-speed data cable of transmission category Cat 6. The cable is halogenfree, flame-retardant, resistant to oil, and resistant to abrasion due to PUR-outer jacket. It is excellently adapted for applications in industrial areas. The high-grade shielding provides for a high data transmission safety in electromagnetically charged surroundings. It is adapted for flexible applications, especially in drag-chains or on permanently movable machine parts in dry and wet areas.

| | |
|------------------------------|--|
| Outer diameter of jacket | 7,80 mm |
| Cable-jacket material | PUR |
| Jacket color | GN, similar RAL6018 |
| Wire cross-section | 4 x 2 x AWG26/19 |
| Wire insulation material | FRNC |
| Wire colors | WH/BU ; WH/OG ; WH/GN ; WH/BN |
| Conductor structure | 19 x 0.102 mm |
| Bending radius (fixed) | 4 x Ø-cable |
| Bending radius (repeated) | 7,5 x Ø-cable |
| Temperature range (repeated) | -30°C...+70°C |
| Temperature range (fixed) | -40°C...+80°C |
| Drag chain-application | 4 Mio. cycles |
| Shielding | Yes |
| Halogen-free | Yes |
| Transmission features | Cat6 |
| Rated voltage cable | 100V |
| Special features | flame retardant, recyclable, LABS free, RoHs compliant, ozone resistant, UV resistant, drag chain-adapted, halogen free, oil resistant, high flexibility |

Classification

| | |
|------------|----------|
| eCl@ss 6.0 | 27060307 |
| eCl@ss 7.0 | 27060307 |
| eCl@ss 8.0 | 27060307 |
| eCl@ss 9.0 | 27060307 |
| ETIM 5.0 | EC000830 |
| ETIM 6.0 | EC000830 |

Accessories

Marking rings Ø 9mm
<https://www.escha.net/en/products/standard/accessories-for-connectivity/?p=1&o=3&n=15&f=809>

Torque-wrench set
<https://www.escha.net/en/Products/Standard/Accessories-for-connectivity/8055431/Torque-wrench-set-M8-M12>