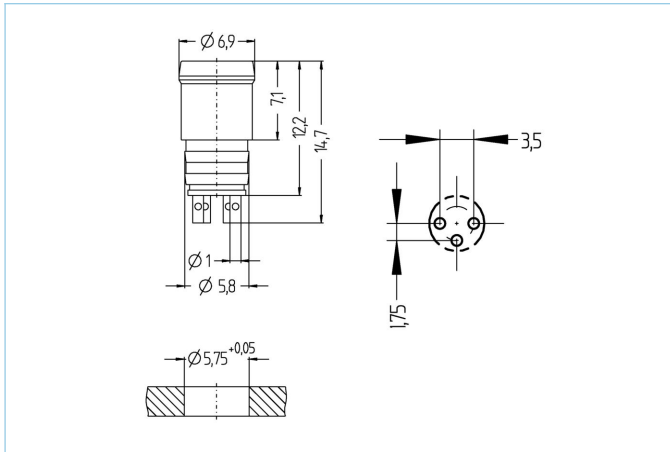


## Panel connector, Ø8mm snap



Product data	
Item description	ESP3SL
Item-No.	8008163
Customs tariff-No.	85366990
Step-File	ESP3S.stp
EAN	4047106094058
Technical data	
Connector	male, Ø8mm snap
Number of pins	3
Rated voltage	60V
Current load (at 40°C)	4A
Insulation resistance	≥10 <sup>9</sup> Ω
Ambient temperature product	-30°C...+90°C
Contact material	Metal, CuZn, gold-plated
Contact-carrier material	Plastic, PA, BK
Connecting type	Soldering contact
Standards	IEC 61076-2-104
Degree of protection (mounted)	IP65, IP67
Mechanical life-cycle	>100 mating cycles
Degree of pollution	3/2
Classification	
eCl@ss 6.0	27279220
eCl@ss 7.0	27440103
eCl@ss 8.0	27440103
eCl@ss 9.0	27440103
ETIM 5.0	EC002061
ETIM 6.0	EC002061