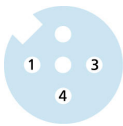
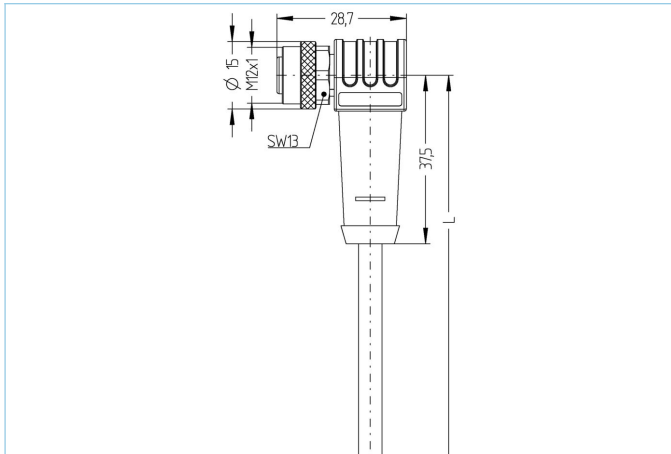


Single-ended cordset, Automation Line, M12, shielded



Product data

| | |
|--------------------|------------------|
| Item description | AL-WWAKS3-10/P00 |
| Item-No. | 8051169 |
| Length | 10m |
| Customs tariff-No. | 85444290 |
| Step-File | AL-WWAKS3.stp |
| EAN | 4047106016500 |

Technical data

| | |
|--------------------------------|----------------------------|
| Connector | female, angled, M12 |
| Number of pins | 3 |
| Pin assignment | 1 BN, 3 BU, 4 BK |
| Coding | A |
| Rated voltage | 250V |
| Current load (at 40°C) | 4A |
| Insulation resistance | $\geq 10^8 \Omega$ |
| Resistance | $\leq 5 m\Omega$ |
| Ambient temperature product | -30°C...+90°C |
| Contact material | Metal, CuSn, gold-plated |
| Contact-carrier material | Plastic, TPU, BK |
| Grip body material | Plastic, TPU, BK |
| Coupling nut material | Metal, CuZn, nickel-plated |
| Sealing (female) material | FPM/FKM |
| Shielding | with shielding |
| Standards | IEC 61076-2-101 |
| Degree of protection (mounted) | IP65, IP67, IP68 |
| Mechanical life-cycle | >100 mating cycles |
| Cable end assembly | open cable end |
| Degree of pollution | 3 |

| Cable | PVC, P00, GY |
|--|--|
| PVC-cable for measurement and control-, and sensor technology. Suitable for applications in dry areas on packaging machines, assembly- and conveyor technology. High flexibility with unstressed movement (conditional drag-chain application possible). Predestined for applications in food- and beverage industry. Very good EMC-features with shielded versions. | |
| Outer diameter of jacket | 4,80 mm |
| Cable-jacket material | PVC |
| Jacket color | GY, similar RAL7040 |
| Wire cross-section | 3 x 0.34 mm ² |
| Wire insulation material | PVC |
| Wire colors | BN, BU, BK |
| Conductor structure | 19 x 0.15 mm |
| Bending radius (fixed) | 5 x Ø-cable |
| Bending radius (repeated) | 10 x Ø-cable |
| Temperature range (repeated) | 0°C...+80°C |
| Temperature range (fixed) | -25°C...+80°C |
| Shielding | Yes |
| Rated voltage cable | ≤300 V |
| Special features | seawater resistant, recyclable, LABS free, RoHs compliant, acid- and alkali resistant, ozone resistant, UV resistant, hydrolysis proof |
| Classification | |
| eCl@ss 6.0 | 27279218 |
| eCl@ss 7.0 | 27279218 |
| eCl@ss 8.0 | 27279218 |
| eCl@ss 9.0 | 27060311 |
| ETIM 5.0 | EC001855 |
| ETIM 6.0 | EC001855 |
| Accessories | |
| Mounting-set, M12 https://www.escha.net/en/Products/Standard/Accessories-for-connectivity/8047664/Mounting-set-M12-clips-and-screws-M4x8-black | |
| Torque-wrench set https://www.escha.net/en/Products/Standard/Accessories-for-connectivity/8055431/Torque-wrench-set-M8-M12 | |
| Marking rings Ø 9mm https://www.escha.net/en/products/standard/accessories-for-connectivity/?p=1&o=3&n=15&f=809 | |
| Cable Stripping Tool https://www.escha.net/en/Products/Standard/Accessories-for-connectivity/8066215/Cable-stripping-tool-4.40-7.00mm-outer-diameter | |
| Cable Stripping Tool https://www.escha.net/en/Products/Standard/Accessories-for-connectivity/8066216/Cable-stripping-tool-3.20-4.40mm-outer-diameter | |