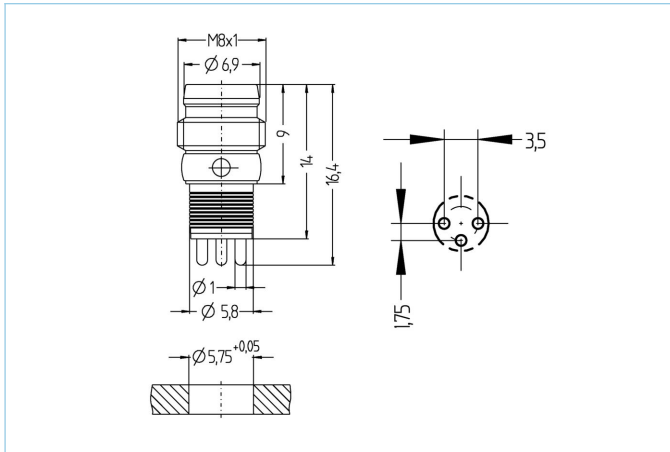


Panel connector, Ø8mm snap



Product data

| | |
|--------------------|---------------|
| Item description | ESGP3P |
| Item-No. | 8008742 |
| Customs tariff-No. | 85366990 |
| Step-File | ESGP3Pstp |
| EAN | 4047106091705 |

Technical data

| | |
|--------------------------------|----------------------------|
| Connector | male, M8/Ø8mm snap |
| Number of pins | 3 |
| Rated voltage | 60V |
| Current load (at 40°C) | 4A |
| Insulation resistance | ≥10 ⁹ Ω |
| Ambient temperature product | -30°C...+90°C |
| Contact material | Metal, CuZn, gold-plated |
| Housing material | Metal, CuZn, nickel-plated |
| Connecting type | Print contact |
| Standards | IEC 61076-2-104 |
| Degree of protection (mounted) | IP65, IP67 |
| Mechanical life-cycle | >100 mating cycles |
| Degree of pollution | 3/2 |

Classification

| | |
|------------|----------|
| eCl@ss 6.0 | 27279220 |
| eCl@ss 7.0 | 27440103 |
| eCl@ss 8.0 | 27440103 |
| eCl@ss 9.0 | 27440103 |
| ETIM 5.0 | EC002061 |
| ETIM 6.0 | EC002061 |