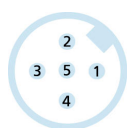
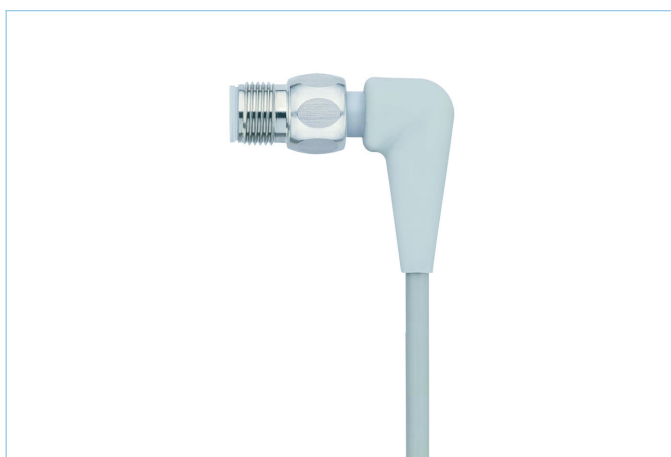
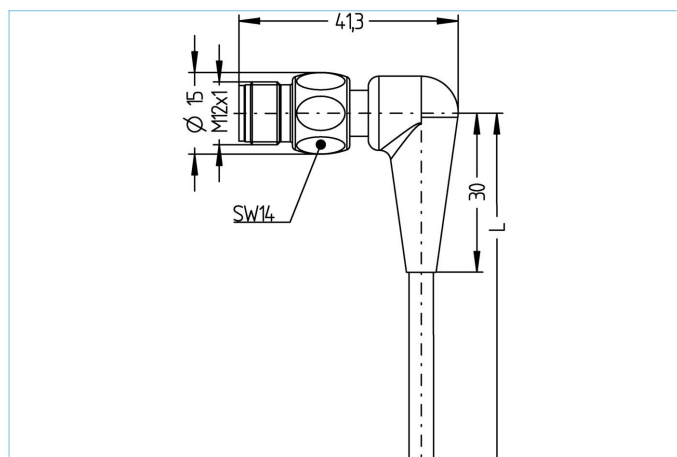


## Single-ended cordset, Food & Beverage, M12x1



### Product data

Item description	FB-WWASH4.5-2/S3930
Item-No.	8063891
Length	2m
Customs tariff-No.	85444290
Step-File	FB-WWASH4.stp
EAN	4047106151942

### Technical data

Connector	male, angled, M12x1
Number of pins	5
Pin assignment	1 BN, 2 WH, 3 BU, 4 BK, 5 GY
Coding	A
Rated voltage	60V
Current load (at 40°C)	4A
Insulation resistance	≥10 <sup>9</sup> Ω
Resistance	≤ 5mΩ
Ambient temperature product	-40°C...+105°C
Contact material	Metal, CuZn, gold-plated
Contact-carrier material	Plastic, PP, GY
Grip body material	Plastic, PP, GY
Coupling nut material	Stainless steel, V4A
Standards	IEC 61076-2-101
Degree of protection (mounted)	IP65, IP67, IP68, IP69
Mechanical life-cycle	>100 mating cycles
Cable end assembly	open cable end
Degree of pollution	3

<b>Cable</b>	<b>TPE, S3930, GY</b>
--------------	-----------------------

TPE jacketed cable with elevated position-proof wires with an insulation of special polyester. Resistant to all common acidic- and alkaline cleaning- and disinfection agents. PVC-free plastics prevent discoloration and hardening by detergents. Predestined for applications in the food- and beverage industry. Due to the materials used, it is also suitable for applications in machine- and plant construction. High stability, good drag-chain- and torsion capability.

Outer diameter of jacket	5,0 +/- 0,15 mm
Cable-jacket material	TPE
Jacket color	GY, similar RAL7035
Wire cross-section	5 x 0.34 mm <sup>2</sup>
Wire insulation material	TPE
Wire colors	BN, WH, BU, BK, GY
Conductor structure	42 x 0.10 mm
Bending radius (fixed)	5 x Ø-cable
Bending radius (repeated)	10 x Ø-cable
Temperature range (repeated)	-25°C...+105°C
Temperature range (fixed)	-40°C...+105°C
Temperature range (drag chain)	-25°C...+60°C
Halogen-free	Yes
Rated voltage cable	≤240 V <sub>AC</sub>
Special features	seawater resistant, recyclable, LABS free, RoHs compliant, ozone resistant, hydrolysis proof, drag chain-adapted, torsion resistant, halogen free, excellent acid- and alkali resistant, verified resistance against P3-topactive, flexibility at low temperature, increased thermal load

<b>Classification</b>	
eCl@ss 6.0	27279218
eCl@ss 7.0	27279218
eCl@ss 8.0	27279218
eCl@ss 9.0	27060311
ETIM 5.0	EC001855
ETIM 6.0	EC001855

<b>Accessories</b>	<b>Web-Link</b>
Mounting-set, M12x1	<a href="https://www.escha.net/en/search?sSearch=8047664">https://www.escha.net/en/search?sSearch=8047664</a>
Torque-wrench set	<a href="https://www.escha.net/en/search?sSearch=8055431">https://www.escha.net/en/search?sSearch=8055431</a>
Marking rings Ø 9mm	<a href="https://www.escha.net/en/products/accessoires/markring-rings/">https://www.escha.net/en/products/accessoires/markring-rings/</a>
Cable Stripping Tool	<a href="https://www.escha.net/en/search?sSearch=8066215">https://www.escha.net/en/search?sSearch=8066215</a>
Cable Stripping Tool	<a href="https://www.escha.net/en/search?sSearch=8066216">https://www.escha.net/en/search?sSearch=8066216</a>
Food & Beverage, Adapter	<a href="https://www.escha.net/en/search?sSearch=8063392">https://www.escha.net/en/search?sSearch=8063392</a>