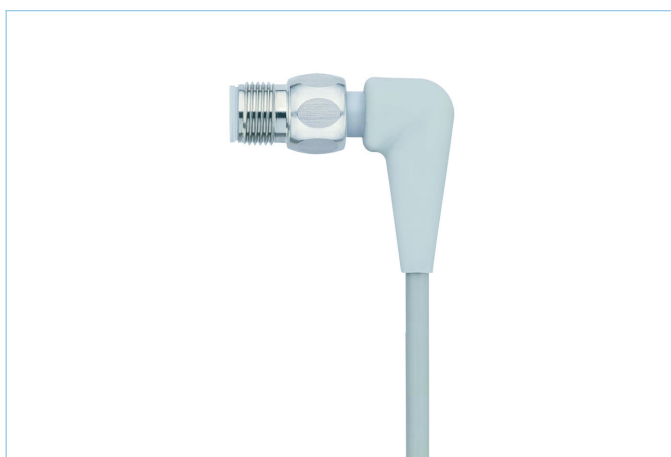
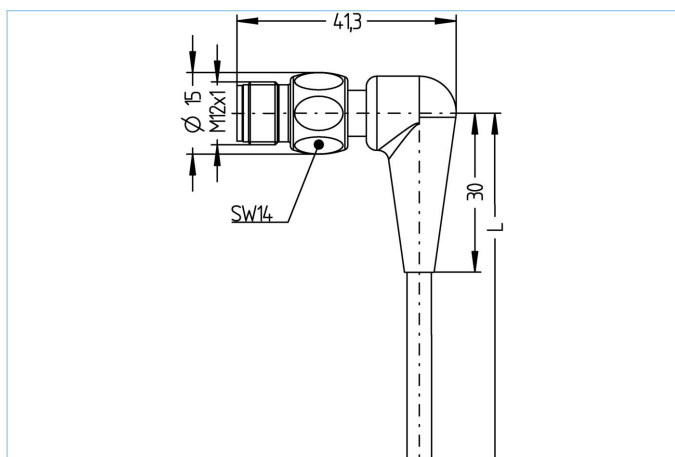


Single-ended cordset, Food & Beverage, M12x1



Product data

Item description	FB-WWASH3-10/P01
Item-No.	8063665
Length	10m
Customs tariff-No.	85444290
Step-File	FB-WWASH3.stp
EAN	4047106149765

Technical data

Connector	male, angled, M12x1
Number of pins	3
Pin assignment	1 BN, 3 BU, 4 BK
Coding	A
Rated voltage	250V
Current load (at 40°C)	4A
Insulation resistance	≥10 ⁹ Ω
Resistance	≤ 5mΩ
Ambient temperature product	-40°C...+105°C
Contact material	Metal, CuZn, gold-plated
Contact-carrier material	Plastic, PP, GY
Grip body material	Plastic, PP, GY
Coupling nut material	Stainless steel, V4A
Standards	IEC 61076-2-101
Degree of protection (mounted)	IP65, IP67, IP68, IP69
Mechanical life-cycle	>100 mating cycles
Cable end assembly	open cable end
Degree of pollution	3

cable	PVC, UL, P01, GY
PVC-cable for measurement and control-, and sensor technology. Suitable for applications in dry areas on packaging machines, assembly- and conveyor technology. High flexibility with unstressed movement (conditional drag-chain application possible). Predestined for applications in food- and beverage industry.	
Outer diameter of jacket	4,60 mm
Cable-jacket material	PVC
Jacket color	GY, similar RAL7040
Wire cross-section	3 x 0.34 mm ²
Wire insulation material	PVC
Wire colors	BN, BU, BK
Conductor structure	19 x 0.15 mm
Bending radius (fixed)	5 x Ø-cable
Bending radius (repeated)	10 x Ø-cable
Temperature range (repeated)	0°C...+80°C
Temperature range (fixed)	-25°C...+80°C
Rated voltage cable	≤300 V
Special features	seawater resistant, recyclable, LABS free, RoHs compliant, acid- and alkali resistant, ozone resistant, UV resistant
Classification	
eCl@ss 6.0	27279218
eCl@ss 7.0	27279218
eCl@ss 8.0	27279218
eCl@ss 9.0	27060311
ETIM 5.0	EC001855
ETIM 6.0	EC001855
Accessories	Web-Link
Mounting-set, M12x1	https://www.escha.net/en/search?sSearch=8047664
Torque-wrench set	https://www.escha.net/en/search?sSearch=8055431
Marking rings Ø 9mm	https://www.escha.net/en/products/accessoires/markring-rings/
Cable Stripping Tool	https://www.escha.net/en/search?sSearch=8066215
Cable Stripping Tool	https://www.escha.net/en/search?sSearch=8066216
Food & Beverage, Adapter	https://www.escha.net/en/search?sSearch=8063392