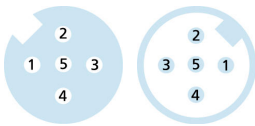
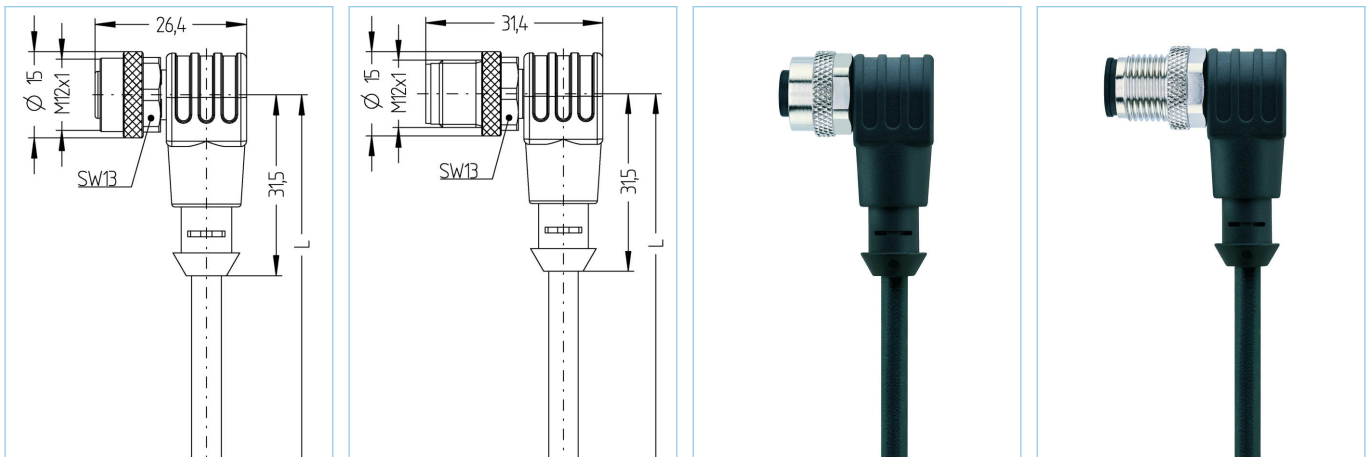


## Double-ended cordset, Automation Line, M12



### Product data

|                    |                           |
|--------------------|---------------------------|
| Item description   | AL-WWAK5-1-AL-WWAS5/P01BK |
| Item-No.           | 8081979                   |
| Length             | 1m                        |
| Customs tariff-No. | 85444290                  |
| Step-File          | AL-WWAK5_AL-WWAS5.stp     |
| EAN                | 4047106234096             |
| Label-carrier      | 2 pieces                  |

### Technical data

|                                | A-side                         | B-side                         |
|--------------------------------|--------------------------------|--------------------------------|
| Connector                      | female, angled, M12            | male, angled, M12              |
| Number of pins                 | 4+PE                           | 4+PE                           |
| Pin assignment                 | 1 BN, 2 WH, 3 BU, 4 BK, 5 GNYE | 1 BN, 2 WH, 3 BU, 4 BK, 5 GNYE |
| Coding of                      | A                              | A                              |
| Rated voltage                  | 60V                            | 60V                            |
| Current load (at 40°C)         | 4A                             | 4A                             |
| Insulation resistance          | $\geq 10^9 \Omega$             | $\geq 10^9 \Omega$             |
| Resistance                     | $\leq 5 m\Omega$               | $\leq 5 m\Omega$               |
| Ambient temperature product    | -30°C...+90°C                  | -30°C...+90°C                  |
| Contact material               | Metal, CuSn, gold-plated       | Metal, CuSn, gold-plated       |
| Contact-carrier material       | Plastic, TPU, BK               | Plastic, TPU, BK               |
| Grip body material             | Plastic, TPU, BK               | Plastic, TPU, BK               |
| Coupling nut material          | Metal, CuZn, nickel-plated     | Metal, CuZn, nickel-plated     |
| Sealing (female) material      | FPM/FKM                        |                                |
| Standards                      | IEC 61076-2-101                | IEC 61076-2-101                |
| Degree of protection (mounted) | IP65, IP67, IP68               | IP65, IP67, IP68               |
| Mechanical life-cycle          | >100 mating cycles             | >100 mating cycles             |
| Degree of pollution            | 3                              | 3                              |

| Cable   | PVC, P01BK, UL   |
|---|--|
| PVC-cable for measurement and control-, and sensor technology. Suitable for applications in dry areas on packaging machines, assembly- and conveyor technology. High flexibility with unstressed movement (conditional drag-chain application possible). Predestined for applications in food- and beverage industry. |  |
| Outer diameter of jacket  | 5,30 mm  |
| Cable-jacket material   | PVC  |
| Jacket color  | BK, similar RAL9005  |
| Wire cross-section  | 4+1 x 0.34mm <sup>2</sup>  |
| Wire insulation material  | PVC  |
| Wire colors   | BN, WH, BU, BK, GNYE   |
| Conductor structure   | 19 x 0.15 mm   |
| Bending radius (fixed)  | 5 x Ø-cable  |
| Bending radius (repeated)   | 10 x Ø-cable   |
| Temperature range (repeated)  | 0°C...+80°C  |
| Temperature range (fixed)   | -25°C...+80°C  |
| Rated voltage cable   | ≤300 V   |
| Special features  | seawater resistant, recyclable, LABS free, RoHs compliant, acid- and alkali resistant, ozone resistant, UV resistant |
| Classification  |  |
| eCl@ss 6.0  | 27279218   |
| eCl@ss 7.0  | 27279218   |
| eCl@ss 8.0  | 27279218   |
| eCl@ss 9.0  | 27060311   |
| ETIM 5.0  | EC001855   |
| ETIM 6.0  | EC001855   |
| Accessories   |  |
| Mounting-set, M12<br><a href="https://www.escha.net/en/Products/Standard/Accessories-for-connectivity/8047664/Mounting-set-M12-clips-and-screws-M4x8-black">https://www.escha.net/en/Products/Standard/Accessories-for-connectivity/8047664/Mounting-set-M12-clips-and-screws-M4x8-black</a>                          |  |
| Torque-wrench set<br><a href="https://www.escha.net/en/Products/Standard/Accessories-for-connectivity/8055431/Torque-wrench-set-M8-M12">https://www.escha.net/en/Products/Standard/Accessories-for-connectivity/8055431/Torque-wrench-set-M8-M12</a>  |  |
| Marking rings Ø 9mm<br><a href="https://www.escha.net/en/products/standard/accessories-for-connectivity/?p=1&amp;o=3&amp;n=15&amp;f=809">https://www.escha.net/en/products/standard/accessories-for-connectivity/?p=1&amp;o=3&amp;n=15&amp;f=809</a>  |  |