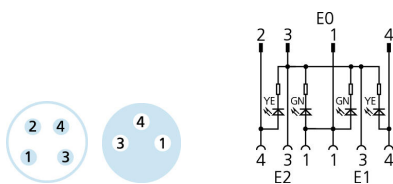
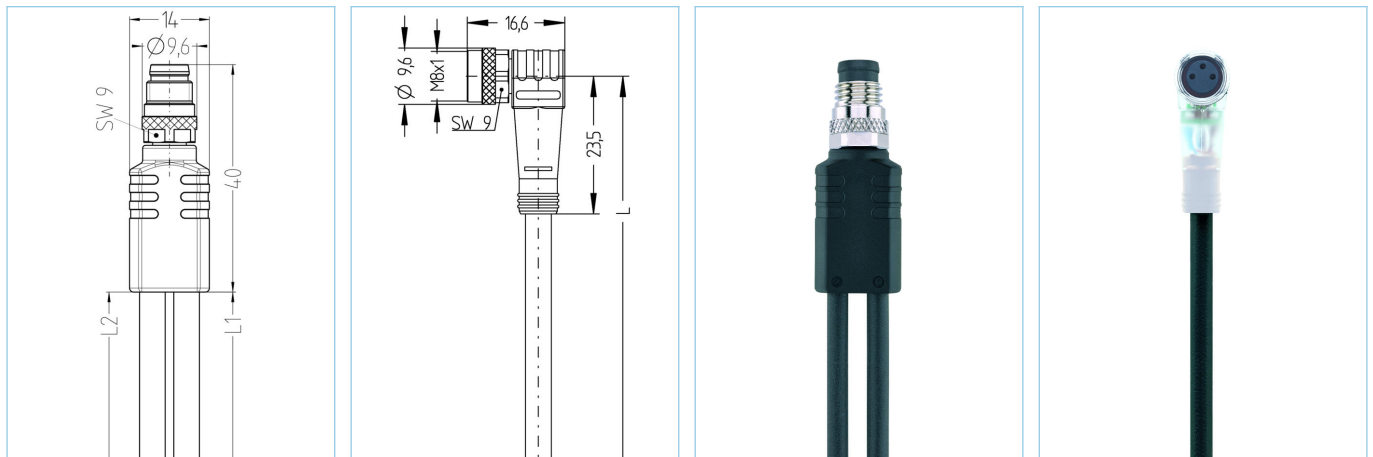


Y-splitter, M8, with cable outlet



Product data

Item description	YK-FS4M8-2AL-SWKP3P2-0,6/0,6/S370
Item-No.	8076075
Length	0.6m
Customs tariff-No.	85444290
Step-File	YK-FS4M8_2AL-SWKP3P2-L_L.stp
EAN	4047106171148

	Exit 0	Exit 1	Exit 2
Connector	male, M8, straight	female, M8, angled, with LED	female, M8, female, with LED
Contact-carrier material	Plastic, TPU, BK	Plastic, TPU, BK	Plastic, TPU, BK
Coupling nut material	Metal, CuZn, nickel-plated	Metal, CuZn, nickel-plated	Metal, CuZn, nickel-plated
Grip body material	Plastic, TPU, BK	Plastic, TPU, transparent	Plastic, TPU, transparent
Rated voltage	60V	30V	30V
Coding of	A	A	A
Number of pins	4	3	3
Current load (at 40°C)	3A	3A	3A

Insulation resistance $\geq 10^9 \Omega$

Ambient temperature product $-30^\circ\text{C} \dots +90^\circ\text{C}$

Operating voltage-indicator LED GN

Signal status-indicator LED YE

Circuit logic pnp

Sealing (female) material FPM/FKM

Mechanical life-cycle > 100 mating cycles

Standards IEC 61076-2-104

Degree of protection (mounted) IP65, IP67, IP68

Degree of pollution 3

Cable PUR, UL, S370

Flexible, silicone- and halogen-free control line with high mechanical strength. The cable is chemicals, hydrolysis-, and microbes- resistant. The drag-chain application is possible at a bending radius of minimum 10 x d. Due to its weld-field immunity, the cable is very well suited for the flexible application in robotics, machine-tool, and metal-cutting production. The cables meet the UL and CSA (UL10493/20549; cULus) requirements.

Outer diameter of jacket	4,00 mm
Cable-jacket material	PUR
Jacket color	BK, similar RAL9005
Wire cross-section	3 x 0.25 mm ²
Wire insulation material	PP
Wire colors	BN, BU, BK
Conductor structure	32 x 0.10 mm
Bending radius (fixed)	5 x Ø-cable
Bending radius (repeated)	10 x Ø-cable
Temperature range (repeated)	-30°C...+90°C
Temperature range (fixed)	-50°C...+90°C
Temperature range (drag chain)	-25°C...+60°C
Drag chain-application	5 Mio. cycles
Halogen-free	Yes
Torsion	+/-360°/m, ≥ 2 Mio. cycles
Rated voltage cable	≤300 V
Special features	flame retardant, seawater resistant, recyclable, LABS free, RoHs compliant, acid- and alkali resistant, ozone resistant, UV resistant, hydrolysis proof, drag chain-adapted, torsion resistant, welding sparks resistant, halogen free, silicone free, oil resistant

Classification

eCl@ss 6.0	27279218
eCl@ss 7.0	27279218
eCl@ss 8.0	27279218
eCl@ss 9.0	27060313
ETIM 5.0	EC001855
ETIM 6.0	EC001855