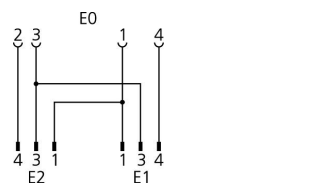
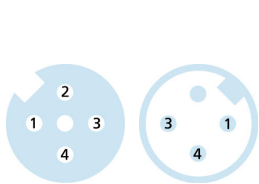
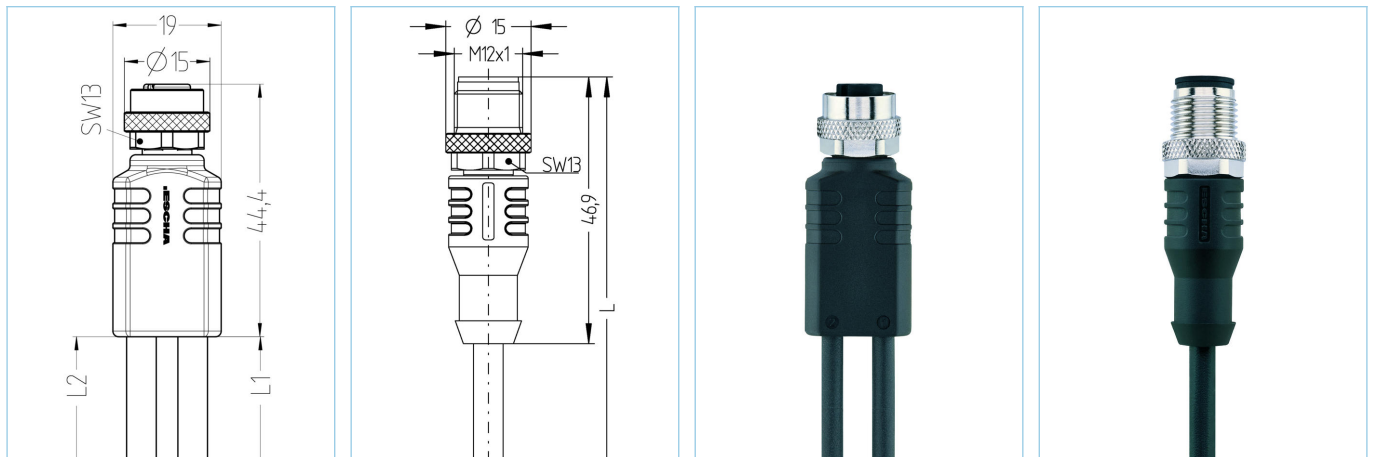


Y-splitter, M12, with cable outlet



Product data

| | |
|--------------------|-----------------------------|
| Item description | YK-FK4M12-2AL-WAS3-1/1/S370 |
| Item-No. | 8075942 |
| Length | 1m |
| Customs tariff-No. | 85444290 |
| Step-File | YK-FK4M12-2AL-WAS3-L_L.stp |
| EAN | 4047106174217 |

| | Exit 0 | Exit 1 | Exit 2 |
|--------------------------|----------------------------|----------------------------|----------------------------|
| Connector | female, M12, straight | male, M12, straight | male, M12, straight |
| Contact material | Metal, CuZn, gold-plated | Metal, CuSn, gold-plated | Metal, CuSn, gold-plated |
| Contact-carrier material | Plastic, TPU, BK | Plastic, TPU, BK | Plastic, TPU, BK |
| Coupling nut material | Metal, CuZn, nickel-plated | Metal, CuZn, nickel-plated | Metal, CuZn, nickel-plated |
| Rated voltage | 60V | 250V | 250V |
| Coding of | A | A | A |
| Number of pins | 4 | 3 | 3 |
| Current load (at 40°C) | 4A | 4A | 4A |

Insulation resistance $\geq 10^9 \Omega$

Ambient temperature product $-30^\circ\text{C} \dots +90^\circ\text{C}$

Grip body material Plastic, TPU, BK

Sealing (female) material FPM/FKM

Mechanical life-cycle >100 mating cycles

Standards IEC 61076-2-101

Degree of protection (mounted) IP65, IP67, IP68

Degree of pollution 3

Cable PUR, UL, S370

Flexible, silicone- and halogen-free control line with high mechanical strength. The cable is chemicals, hydrolysis-, and microbes- resistant. The drag-chain application is possible at a bending radius of minimum 10 x d. Due to its weld-field immunity, the cable is very well suited for the flexible application in robotics, machine-tool, and metal-cutting production. The cables meet the UL and CSA (UL10493/20549; cULus) requirements.

| | |
|--------------------------------|--|
| Outer diameter of jacket | 4,30 mm |
| Cable-jacket material | PUR |
| Jacket color | BK, similar RAL9005 |
| Wire cross-section | 3 x 0.34 mm ² |
| Wire insulation material | PP |
| Wire colors | BN, BU, BK |
| Conductor structure | 42 x 0.10 mm |
| Bending radius (fixed) | 5 x Ø-cable |
| Bending radius (repeated) | 10 x Ø-cable |
| Temperature range (repeated) | -30°C...+90°C |
| Temperature range (fixed) | -50°C...+90°C |
| Temperature range (drag chain) | -25°C...+60°C |
| Drag chain-application | 5 Mio. cycles |
| Halogen-free | Yes |
| Torsion | +/-360°/m, ≥ 2 Mio. cycles |
| Rated voltage cable | ≤300 V |
| Special features | flame retardant, seawater resistant, recyclable, LABS free, RoHs compliant, acid- and alkali resistant, ozone resistant, UV resistant, hydrolysis proof, drag chain-adapted, torsion resistant, welding sparks resistant, halogen free, silicone free, oil resistant |

Classification

| | |
|------------|----------|
| eCl@ss 6.0 | 27279218 |
| eCl@ss 7.0 | 27279218 |
| eCl@ss 8.0 | 27279218 |
| eCl@ss 9.0 | 27060313 |
| ETIM 5.0 | EC001855 |
| ETIM 6.0 | EC001855 |