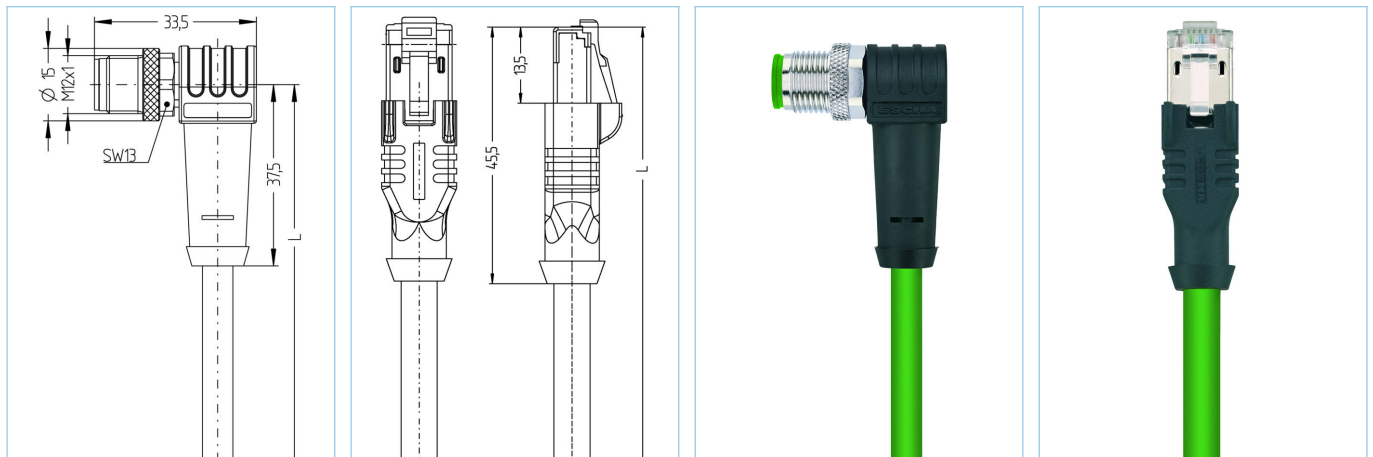


**Double-ended cordset, 100 MBit/s, Industrial Ethernet, M12 - RJ 45, shielded**



Product data	
Item description	IE-WWASSY4.029-2-IE-RJ45SS4.003/S2171
Item-No.	8062318
Length	2m
Customs tariff-No.	85444290
Step-File	IE-WWASSY4_029-L-IE-RJ45SS4_003.stp
EAN	4047106148577
Label-carrier	2 pieces

Technical data	A-side	B-side
Connector	male, angled, M12	male, straight, RJ45
Number of pins	4	4
Pin assignment	1 YE, 2 WH, 3 OG, 4 BU	1 YE, 2 WH, 3 OG, 6 BU
Coding of	D	
Rated voltage	250V	50V
Current load (at 40°C)	4A	1A
Insulation resistance	≥10 <sup>9</sup> Ω	≥10 <sup>9</sup> Ω
Transmission features	Cat5e	Cat5e
Ambient temperature product	-30°C...+90°C	-40°C...+70°C
Contact material	Metal, CuZn, gold-plated	Metal, CuZn, gold-plated
Contact-carrier material	Plastic, TPU, BK	Plastic
Grip body material	Plastic, TPU, BK	Plastic, TPE, BK
Coupling nut material	Metal, CuZn, nickel-plated	
Shielding	with shielding	with shielding
Standards	IEC 61076-2-109	IEC 60603-7-5
Degree of protection (mounted)	IP65, IP67, IP68	IP20
Mechanical life-cycle	>100 mating cycles	>750 mating cycles
Degree of pollution	3	1

Advanced technical data UL	
Rated voltage	50V <sub>ac/dc</sub>
Rated current	1,0A

Cable		Cat5e, PUR, UL, S2171, PROFINET
Shielded, PUR-cable for industrial applications. The cable is CMX-verified or meets the Cat5e (electrical properties of EN 50288-2-1) requirements. Materials and a constructive setup allow for increased mechanical stresses (abrasion, bending, vibrations etc.) of the cable. A drag-chain application with up to 3 million bending cycles is possible.		
Outer diameter of jacket		6,50 mm
Cable-jacket material		PUR
Jacket color		GN, similar RAL6018
Wire cross-section		1 x 4 x AWG22, star quad
Wire insulation material		FRNC
Wire colors		YE/OG ; WH/BU
Conductor structure		7 x 0.25 mm
Bending radius (fixed)		4 x Ø-cable
Bending radius (repeated)		8 x Ø-cable
Temperature range (repeated)		-30°C...+70°C
Temperature range (fixed)		-40°C...+75°C
Drag chain-application		3 Mio. bending cycles
Halogen-free		Yes
Transmission features		Cat5e
Rated voltage cable		600V UL rating
Special features		flame retardant, seawater resistant, recyclable, LABS free, RoHs compliant, acid- and alkali resistant, ozone resistant, UV resistant, hydrolysis proof, drag chain-adapted, halogen free, oil resistant, high flexibility, microbes resistant, UN ECER118, PROFINET Type C
Classification		
eCl@ss 6.0		27060307
eCl@ss 7.0		27060307
eCl@ss 8.0		27060307
eCl@ss 9.0		27060307
ETIM 5.0		EC000830
ETIM 6.0		EC000830
Accessories		
Torque-wrench set <a href="https://www.escha.net/en/Products/Standard/Accessories-for-connectivity/8055431/Torque-wrench-set-M8-M12">https://www.escha.net/en/Products/Standard/Accessories-for-connectivity/8055431/Torque-wrench-set-M8-M12</a>		
Marking rings Ø 9mm <a href="https://www.escha.net/en/products/standard/accessories-for-connectivity/?p=1&amp;o=3&amp;n=15&amp;f=809">https://www.escha.net/en/products/standard/accessories-for-connectivity/?p=1&amp;o=3&amp;n=15&amp;f=809</a>		
Unlocking clip for RJ45 <a href="https://www.escha.net/en/products/standard/accessories-for-connectivity/?p=1&amp;o=3&amp;n=15&amp;f=807">https://www.escha.net/en/products/standard/accessories-for-connectivity/?p=1&amp;o=3&amp;n=15&amp;f=807</a>		