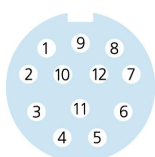
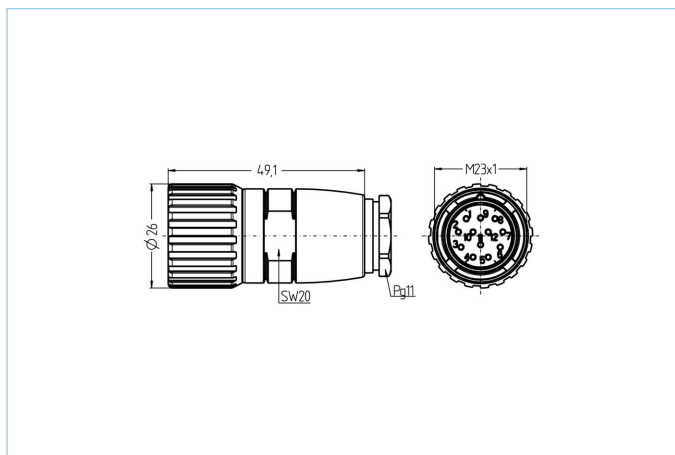


Field-wireable connector , M23x1, Soldering contact



Product data	
Item description	MKCC 12L
Item-No.	8013694
Customs tariff-No.	85366990
Step-File	MKCC 12L.stp
EAN	4047106075873
Technical data	
Connector	female, straight, M23x1
Number of pins	12
Rated voltage	150V
Current load power	8A contacts 10,11,12
Current load signal	4A all other contacts
Insulation resistance	≥10 ⁹ Ω
Ambient temperature product	-40°C...+125°C
Contact material	Metal, CuZn, gold-plated
Contact-carrier material	Plastic, PBT, GY
Grip body material	Metal, CuZn, nickel-plated, silver-plated
Coupling nut material	Metal, CuZn, nickel-plated
Sealing (female) material	Plastic, NBR
Connecting cross-section	contacts 10,11,12 0,75...1,0 mm ² all other 0,5...0,75 mm ²
Cable outlet	8...12 mm
Connecting type	Soldering contact
Standards	IEC 61076-2-101
Degree of protection (mounted)	IP67
Mechanical life-cycle	>100 mating cycles
Degree of pollution	3

Classification	
eCl@ss 6.0	27260702
eCl@ss 7.0	27440102
eCl@ss 8.0	27440102
eCl@ss 9.0	27440102
ETIM 5.0	EC002635
ETIM 6.0	EC002635