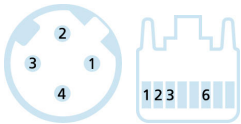
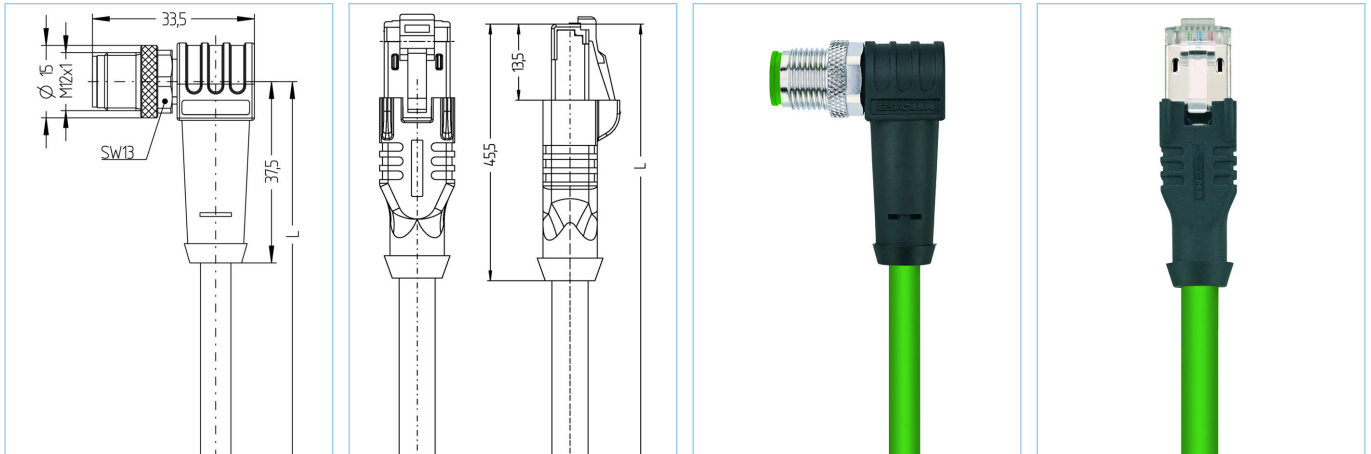


**Double-ended cordset, 100 MBit/s, Industrial Ethernet, M12 - RJ 45, shielded**



**Product data**

|                    |                                       |
|--------------------|---------------------------------------|
| Item description   | IE-VWASSY4.082-2-IE-RJ45SS8.005/S3400 |
| Item-No.           | 8056576                               |
| Length             | 2m                                    |
| Customs tariff-No. | 85444290                              |
| Step-File          | IE-VWASSY4-m-IE-RJ45SS8.stp           |
| EAN                | 4047106141363                         |
| Label-carrier      | 2 pieces                              |

**Technical data**

|                                | A-side                     | B-side                     |
|--------------------------------|----------------------------|----------------------------|
| Connector                      | male, angled, M12          | male, straight, RJ45       |
| Number of pins                 | 4                          | 4                          |
| Pin assignment                 | 1 WHOG, 2 WHBU, 3 OG, 4 BU | 1 WHOG, 2 OG, 3 WHBU, 6 BU |
| Coding of                      | D                          |                            |
| Rated voltage                  | 250V                       | 50V                        |
| Current load (at 40°C)         | 4A                         | 1A                         |
| Insulation resistance          | ≥10 <sup>9</sup> Ω         | ≥10 <sup>9</sup> Ω         |
| Transmission features          | Cat5e                      | Cat5e                      |
| Ambient temperature product    | -30°C...+90°C              | -40°C...+70°C              |
| Contact material               | Metal, CuZn, gold-plated   | Metal, CuZn, gold-plated   |
| Contact-carrier material       | Plastic, TPU, BK           | Plastic                    |
| Grip body material             | Plastic, TPU, BK           | Plastic, TPE, BK           |
| Coupling nut material          | Metal, CuZn, nickel-plated |                            |
| Shielding                      | with shielding             | with shielding             |
| Standards                      | IEC 61076-2-109            | IEC 60603-7-5              |
| Degree of protection (mounted) | IP65, IP67, IP68           | IP20                       |
| Mechanical life-cycle          | >100 mating cycles         | >750 mating cycles         |
| Degree of pollution            | 3                          | 1                          |

**Advanced technical data UL**

|               |                      |
|---------------|----------------------|
| Rated voltage | 30V <sub>AC/DC</sub> |
| Rated current | 1,0A                 |

**Cable** **Cat5e, PUR, UL, S3400**

Shielded PUR Ethernet-cable for industrial applications. Fits to real-time requirements according to IEC61158. The cable meets the UL-Style20963 (80°/30V)- and the Cat5 (electrical properties according to EN50288-2-2) requirements. Materials and a constructive setup for increased mechanical stresses (abrasion, bending, vibrations etc.) of the cable. Drag-chain/torsion operations are possible. High tensile strength through incorporated Kevlar-strands.

|                           |   |
|---------------------------|---|
| Outer diameter of jacket  | 4,80 mm   |
| Cable-jacket material     | PUR   |
| Jacket color              | GN, similar RAL6018   |
| Wire cross-section        | 1 x 4 x AWG26, star quad  |
| Wire insulation material  | PP  |
| Wire colors               | WHBU/BU, WHOG/OG  |
| Conductor structure       | 19 x 0.10 mm  |
| Bending radius (fixed)    | 4 x Ø-cable   |
| Bending radius (repeated) | 7,5 x Ø-cable   |
| Temperature range (fixed) | -40°C...+80°C   |
| Transmission features     | Cat5  |
| Rated voltage cable       | 30 V UL rating  |
| Special features          | seawater resistant, recyclable, LABS free, RoHs compliant, acid- and alkali resistant, ozone resistant, UV resistant, hydrolysis proof, drag chain-adapted, halogen free, oil resistant, high flexibility, microbes resistant |

**Classification**

|            |          |
|------------|----------|
| eCl@ss 6.0 | 27060307 |
| eCl@ss 7.0 | 27060307 |
| eCl@ss 8.0 | 27060307 |
| eCl@ss 9.0 | 27060307 |
| ETIM 5.0   | EC000830 |
| ETIM 6.0   | EC000830 |

**Accessories**

Torque-wrench set  
<https://www.escha.net/en/Products/Standard/Accessories-for-connectivity/8055431/Torque-wrench-set-M8-M12>

Marking rings Ø 9mm  
<https://www.escha.net/en/products/standard/accessories-for-connectivity/?p=1&o=3&n=15&f=809>

Unlocking clip for RJ45  
<https://www.escha.net/en/products/standard/accessories-for-connectivity/?p=1&o=3&n=15&f=807>