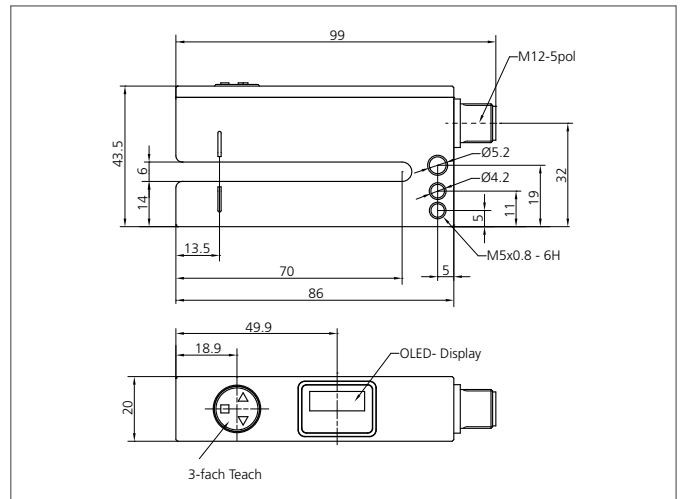
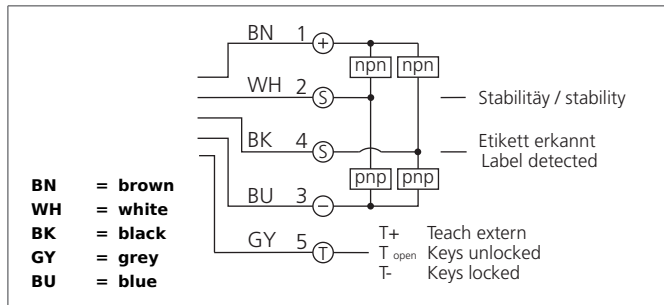


USGT 6/70 G6-B5

Ultrasonic-Label Sensor

- Graphic display
- Different teach options
- Remote teach with key-lock function
- Two switching outputs independently adjustable
- Detection of metallised-, transparent- and paper labels
- Large fork opening and fork depth
- Robust metal casing



Safety instructions

The Instruments are not to be used for safety applications, in particular applications in which safety of persons depends on proper operation of the instruments. These instruments shall exclusively be used by qualified personnel.

TECHNICAL INFORMATION (typ.)	+20°C, 24V DC
Operating principle	Ultrasonic through beam sensor
Evaluation	digital
Fork opening	6 mm
Branch length inside	70 mm
Characteristics	plug connector at the back
Service voltage	18 ... 30 V DC
No-load current	40 mA
Sensitivity adjustment	Teachmenu + remote teach
Switching output	Push pull (2x), pnp, pnp+npn, npn, NO/NC, switchable
Max. power operating	150 mA
Switching hysteresis	adjustable
Label length	> 2 mm
Label interspace	> 2 mm
Label thickness	< 5,9 mm
Voltage drop	< 2,0 V
Switching frequency	1250 Hz
Response time	0,25 ... 0,3 ms
Ambient temperature, operation	+5 ... +60 °C
Insulation voltage endurance	500 V
Protection class	IP 67
Protection degree	III, operation on protective low voltage
Casing material	Aluminium black anodized
Material	PMMA (Protection optics)

USGT 6/70 G6-B5
Ultrasonic-Label Sensor



TECHNICAL INFORMATION (typ.)

+20°C, 24V DC

Connection

M12, 5-poled