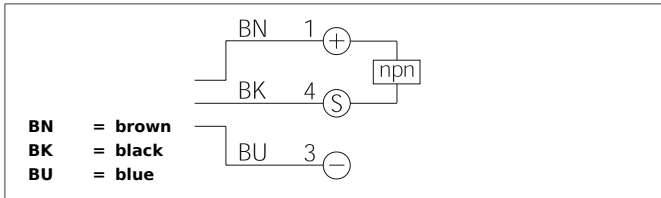


OTVTI 51 M 500 N3K-IBS

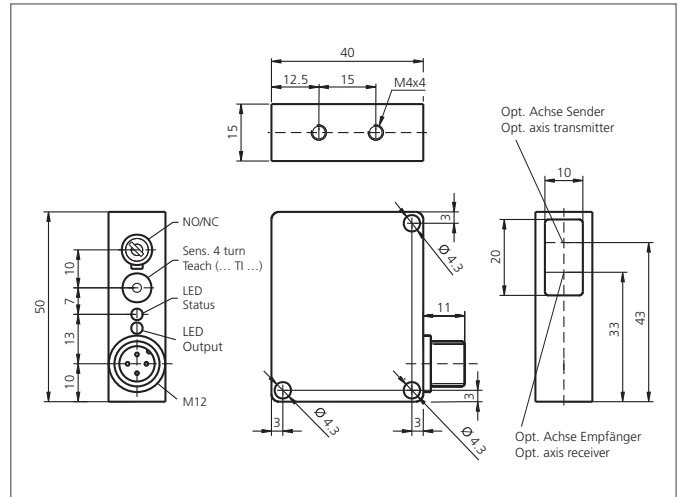
Diffuse Sensor

- Red light
- Teach function
- Bright LED
- Dark-/light switching, push-pull
- Functional reserve indicator/contamination indicator
- Robust metal casing



Safety instructions

The Instruments are not to be used for safety applications, in particular applications in which safety of persons depends on proper operation of the instruments.
These instruments shall exclusively be used by qualified personnel.



TECHNICAL INFORMATION (typ.)		+20°C, 24V DC
Operating principle		Diffuse reflective sensor
Evaluation		digital
Size		50 x 40 x 15 mm (Dimensions)
Design		cuboid design
Emitted light		Red, 660 nm, clocked
Standardized measuring plate		200 x 200 mm, white, (90 % reflexion)
Service voltage		10 ... 35 V DC
No-load current		< 40 mA
background suppression		no
Operating distance		100 ... 500 mm
Sensitivity adjustment		Teach key
Switching output		npn, 200 mA, NO/NC, switchable
Switching hysteresis		< 12 %
Voltage drop		< 2,0 V
Switching frequency		1000 Hz
Response-/release time		0,50 ms / 0,50 ms
Reproducibility		< 1 %
Ambient temperature, operation		-10 ... +60 °C
Temperature drift		0,3 %/K
Ambient light immunity		10 kLx
Insulation voltage endurance		500 V
Protection class		IP 67
Protection degree		III, operation on protective low voltage

OTVTI 51 M 500 N3K-IBS
Diffuse Sensor



TECHNICAL INFORMATION (typ.)	+20°C, 24V DC
Casing material	Die-cast zinc black lacquered finish
Material	polymethyl methacrylate (Window)
Connection	Connector, M12, 3-poled