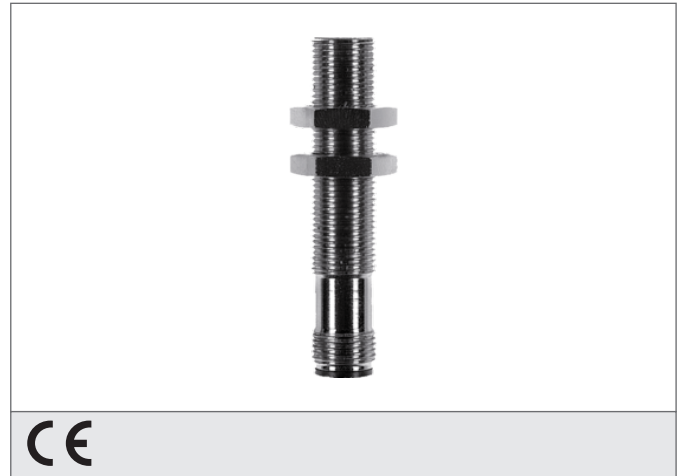


KDC 12 M 04 POK-IBSL Capacitive Proximity Switch

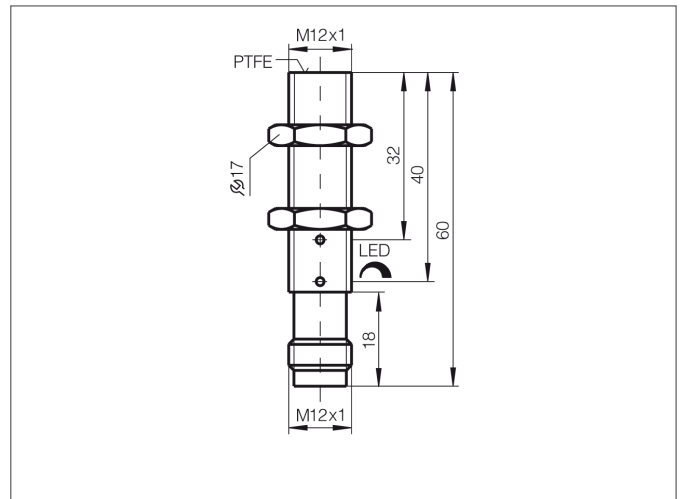
- Detection of electrically conductive and non-conductive materials
- Detection of liquids, powdery and solid materials
- Detection possible even through containers and packages
- Sensitivity adjustable
- Metal plug
- Integrated amplifier
- Short-circuit protection
- Starting pulse suppression
- LED



Safety instructions

The Instruments are not to be used for safety applications, in particular applications in which safety of persons depends on proper operation of the instruments.

These instruments shall exclusively be used by qualified personnel.



| TECHNICAL INFORMATION (typ.) | +20°C, 24V DC |
|--------------------------------|-------------------------|
| Operating principle | Capacitive |
| Evaluation | digital |
| Size | M12 x 1 (thread) |
| Design | screw |
| Mounting | flush |
| Operating distance | 4 mm |
| Standardized measuring plate | 12 x 12 x 1 mm |
| Service voltage | 12 ... 35 V DC |
| No-load current | < 10 mA |
| Sensitivity adjustment | potentiometer |
| Switching output | pnp, 200 mA, NC |
| Switching hysteresis | 15 % |
| Voltage drop | < 1,0 V |
| Switching frequency | 100 Hz |
| Ambient temperature, operation | -30 ... +70 °C |
| Insulation voltage endurance | 500 V |
| Protection class | IP 65 |
| Casing material | stainless steel |
| Connection | Connector, M12, 3-poled |