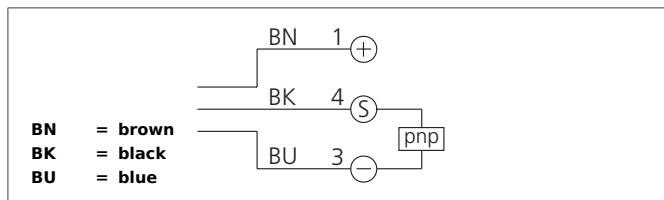


KDC 08 V 1.5 POK-TSL Capacitive Proximity Switch

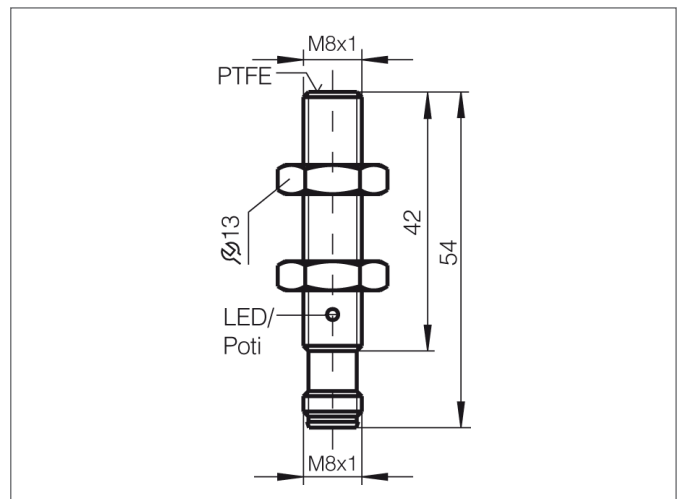
- Detection of electrically conductive and non-conductive materials
- Detection of liquids, powdery and solid materials
- Detection possible even through containers and packages
- Sensitivity adjustable
- Metal plug
- Integrated amplifier
- Short-circuit protection
- Starting pulse suppression
- LED



Safety instructions

The Instruments are not to be used for safety applications, in particular applications in which safety of persons depends on proper operation of the instruments.

These instruments shall exclusively be used by qualified personnel.



TECHNICAL INFORMATION (typ.)	+20°C, 24V DC
Operating principle	Capacitive
Evaluation	digital
Size	M8 x 1 (thread)
Design	screw
Mounting	flush
Operating distance	1,5 mm
Standardized measuring plate	8 x 8 x 1 mm
Service voltage	11 ... 30 V DC
No-load current	< 10 mA
Sensitivity adjustment	potentiometer
Switching output	pnp, 50 mA, NC
Switching hysteresis	15 %
Voltage drop	< 2,0 V
Switching frequency	100 Hz
Ambient temperature, operation	-10 ... +70 °C
Insulation voltage endurance	500 V
Protection class	IP 65
Casing material	stainless steel
Connection	Connector, M8, 3-poled