

LGU 081 N3K-TSSL

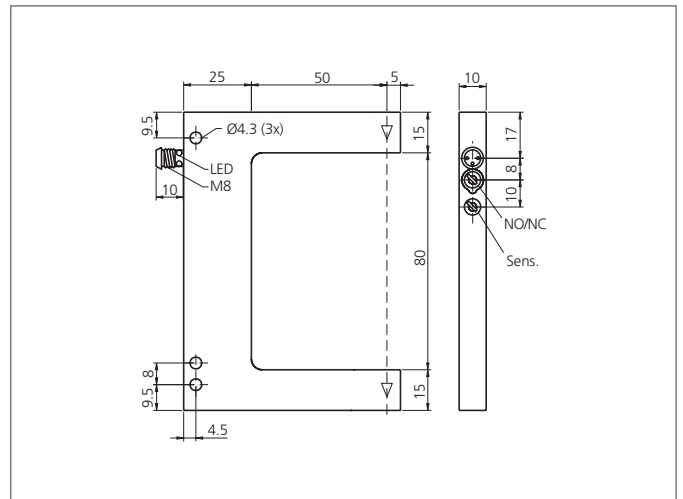
Laser Fork Light Barrier

- Light/dark switching
- Extremely high resolution
- Reproducibility 0.01 mm
- Visible laser spot
- High operating frequency
- Metal casing
- Laser class 1
- High protection class
- Extremely bright ring LED
- 5-year warranty



Safety instructions

Inproper use may result in hazardous radiation exposure. Pay attention to accident prevention rules and laser class. The instruments are not to be used for safety applications, in particular applications in which safety of persons depends on proper operation of the instruments. These instruments shall exclusively be used by qualified personnel.



TECHNICAL INFORMATION (typ.)	+20°C, 24V DC
Operating principle	Optical
Evaluation	digital
Size	110 x 80 x 10 mm (Dimensions)
Design	fork
Fork opening	80 mm
Branch length inside	55 mm
Emitted light	Red light laser, clocked
Laser class	1 (IEC 60825-1)
Service voltage	10 ... 35 V DC (Supply Class 2)
No-load current	< 30 mA
Resolution	0,05 mm
Sensitivity adjustment	potentiometer
Switching output	npn, 200 mA, NO/NC, switchable
Switching hysteresis	< 0,02 mm
Shock-/vibration load	10 ... 55 Hz / 1,0 mm / 30 g
Voltage drop	< 2,8 V
Switching frequency	3000 Hz
Reproducibility	0,01 mm
Laser power	< 100 μW
Ambient temperature, operation	+5 ... +45 °C
Ambient light immunity	40 kLx
Insulation voltage endurance	250 V
Protection class	IP 67

LGU 081 N3K-TSSL

Laser Fork Light Barrier



TECHNICAL INFORMATION (typ.)	+20°C, 24V DC
Protection degree	III, operation on protective low voltage
Casing material	Aluminium black anodized
Connection	Connector, M8, 3-poled
Connecting cable	TK ...
Mountable side by side	Yes