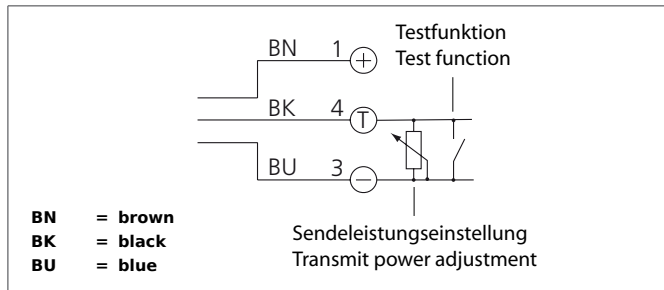
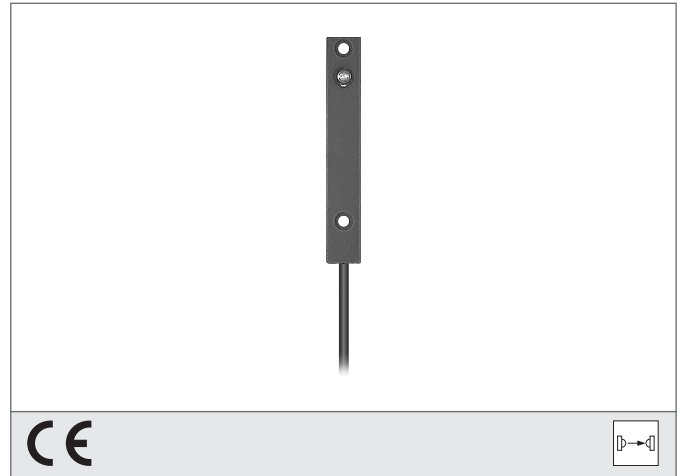


## OSPQ 12 MHFL-5M

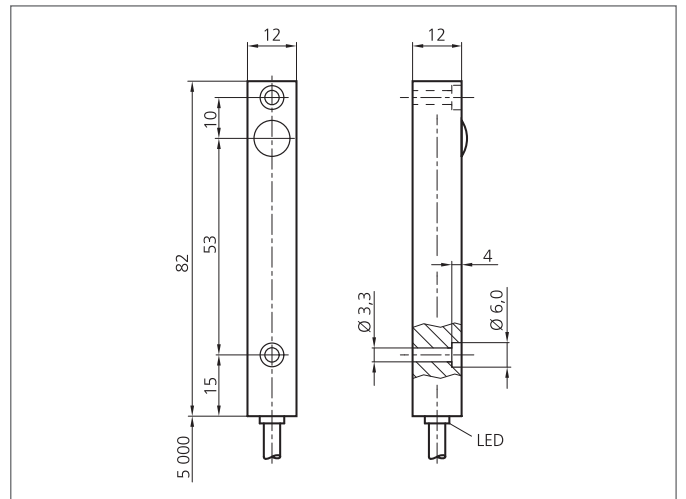
### High Performance Photoelectric Sensor, Transmitter

- High operating distance up to 50 m
- Transmit power with external resistance adjustable
- High functional reserve
- Extremely dirt-resistant
- Easy adjustment
- Different designs to be combined
- High protection class
- Compact design



#### Safety instructions

The Instruments are not to be used for safety applications, in particular applications in which safety of persons depends on proper operation of the instruments.  
These instruments shall exclusively be used by qualified personnel.



TECHNICAL INFORMATION (typ.)	+20°C, 24V DC
Operating principle	Through beam sensors, transmitter
Evaluation	digital
Size	82 x 12 x 12 mm (Dimensions)
Design	cuboid design
Characteristics	High transmit power and dirt penetration
Emitted light	Infrared, 870 nm, clocked
Opening angle	6°
Service voltage	10 ... 35 V DC
No-load current	< 55 mA
Operating distance	0 ... 50000 mm dependent on the receiver
Sensitivity adjustment	no setting elements
Shock-/vibration load	10 ... 55 Hz / 1,0 mm / 30 g
Ambient temperature, operation	-20 ... +60 °C
Protection class	IP 67
Protection degree	III, operation on protective low voltage
Casing material	Aluminium anodized
Material	PVC (Cable)
Connection	Cable, 5,0 m