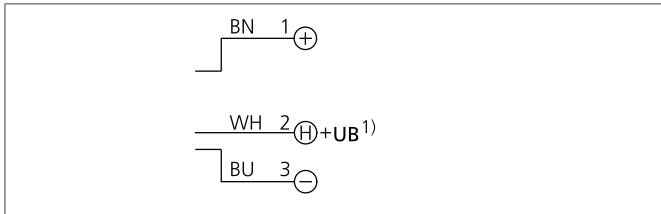


## OSP 50 M 50000-IBS/H

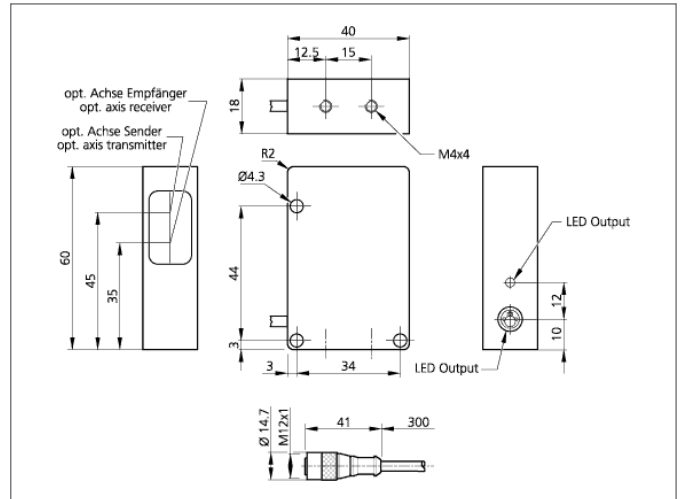
### High Performance Photoelectric Sensor, Transmitter

- With heating element
- High functional reserve
- Extremely dirt-resistant
- High operating distance up to 50 m
- Transmitter opening angle switchable
- Transmit power adjustable
- Infrared light



#### Safety instructions

The Instruments are not to be used for safety applications, in particular applications in which safety of persons depends on proper operation of the instruments.  
These instruments shall exclusively be used by qualified personnel.



TECHNICAL INFORMATION (typ.)		+20°C, 24V DC
Operating principle		Through beam sensors, transmitter
Evaluation		digital
Size		50 x 40 x 15 mm (Dimensions)
Design		cuboid design
Characteristics		High transmit power and dirt penetration
Emitted light		Infrared, 870 nm, clocked
Opening angle		6°/15°
Service voltage		10 ... 35 V DC
No-load current		< 55 mA
Operating distance		0 ... 50000 mm dependent on the receiver
Sensitivity adjustment		Potentiometer 4-way
Power consumption		20 W heat up mode, 7 W with heating
Shock-/vibration load		10 ... 55 Hz / 1,0 mm / 30 g
Ambient temperature, operation		-40 ... +50 °C
Ambient light immunity		15 kLx, Sunlight, 2 kLx, clocked light
Protection class		IP 67
Protection degree		III, operation on protective low voltage
Casing material		Die-cast zinc black lacquered finish
Connection		Connector, M12, 3-poled