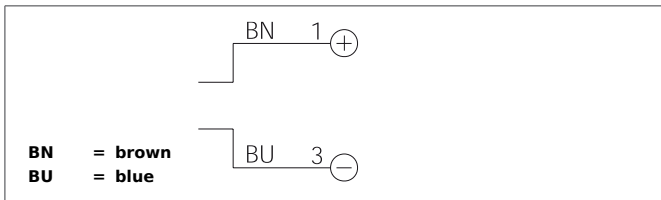


## OSP 50 M 50000-IBS

### High Performance Photoelectric Sensor, Transmitter

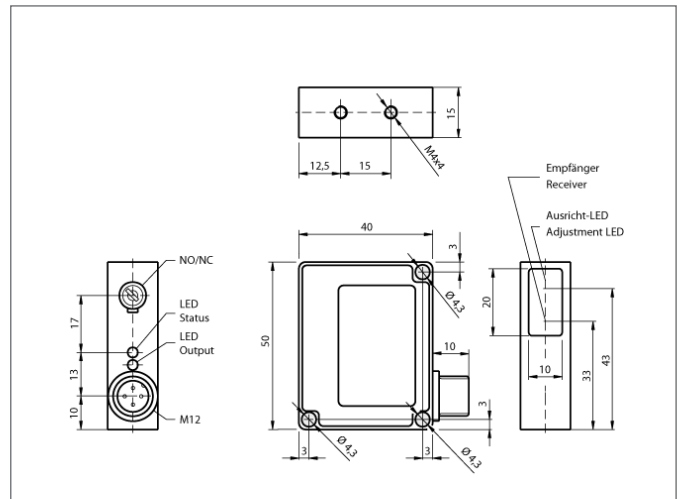
- High functional reserve
- Extremely dirt-resistant
- High operating distance up to 50 m
- Transmitter opening angle switchable
- Transmit power adjustable
- Infrared light



#### Safety instructions

The Instruments are not to be used for safety applications, in particular applications in which safety of persons depends on proper operation of the instruments.

These instruments shall exclusively be used by qualified personnel.



TECHNICAL INFORMATION (typ.)	+20°C, 24V DC
Operating principle	Through beam sensors, transmitter
Evaluation	digital
Size	50 x 40 x 15 mm (Dimensions)
Design	cuboid design
Characteristics	High transmit power and dirt penetration
Emitted light	Infrared, 870 nm, clocked
Opening angle	6°/15°
Service voltage	10 ... 35 V DC
No-load current	< 55 mA
Operating distance	0 ... 50000 mm dependent on the receiver
Sensitivity adjustment	Potentiometer 4-way
Shock-/vibration load	10 ... 55 Hz / 1,0 mm / 30 g
Ambient temperature, operation	-10 ... +60 °C
Ambient light immunity	15 kLx, Sunlight, 2 kLx, clocked light
Protection class	IP 67
Protection degree	III, operation on protective low voltage
Casing material	Die-cast zinc black lacquered finish
Connection	Connector, M12, 3-poled