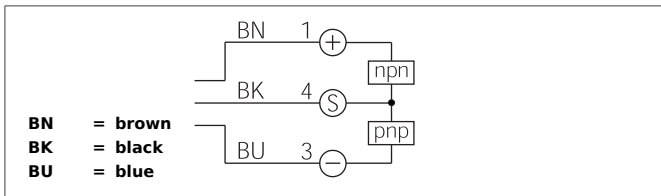


# OGUP 120/130 G2K-TSSL

## High Performance Fork Light Barrier

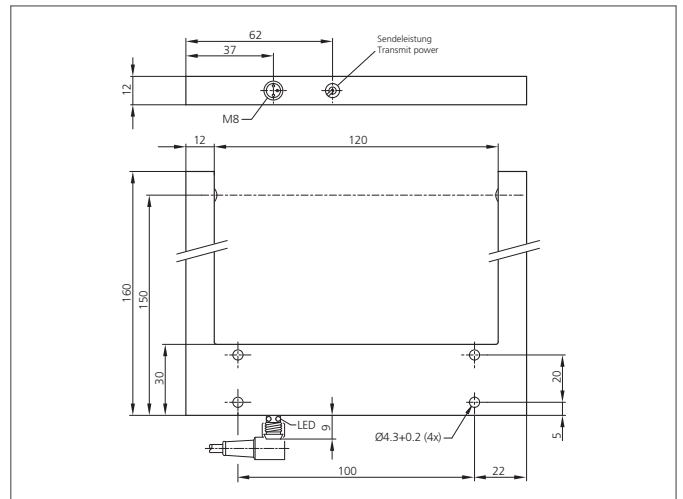
- High functional reserve
- Extremely dirt-resistant
- Penetration of particular materials possible
- Transmit power adjustable
- High protection class
- Robust metal casing
- 5-year warranty



### Safety instructions

The Instruments are not to be used for safety applications, in particular applications in which safety of persons depends on proper operation of the instruments.

These instruments shall exclusively be used by qualified personnel.



TECHNICAL INFORMATION (typ.)	+20°C, 24V DC
Operating principle	Optical
Evaluation	digital
Size	144 x 160 x 12 mm (Dimensions)
Design	fork
Fork opening	120 mm
Branch length inside	130 mm
Characteristics	High transmit power and dirt penetration
Emitted light	Infrared, clocked
Service voltage	10 ... 35 V DC
No-load current	< 50 mA
Resolution	Ø 0,5 mm
Sensitivity adjustment	potentiometer
Switching output	Push pull, 200 mA, NO (pnp) / NC (npn), Dark-On switching
Shock-/vibration load	10 ... 55 Hz / 1,0 mm / 30 g
Voltage drop	< 2,0 V
Switching frequency	20 Hz
Ambient temperature, operation	-20 ... +60 °C
Ambient light immunity	10 kLx
Insulation voltage endurance	500 V
Protection class	IP 67
Protection degree	III, operation on protective low voltage
Casing material	Aluminium black anodized
Connection	Connector, M8, 3-poled

**OGUP 120/130 G2K-TSSL**  
**High Performance Fork Light Barrier**



**TECHNICAL INFORMATION (typ.)**

**+20°C, 24V DC**

Connecting cable

TK ...