

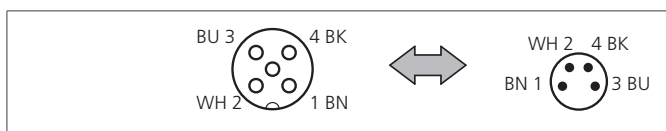
## M12K/M8S/4

### Conector adaptador

- Hembra M12, 4 polos / Macho M8, 4 polos
- Rosca metálica giratoria
- Elevado grado de protección hasta IP67



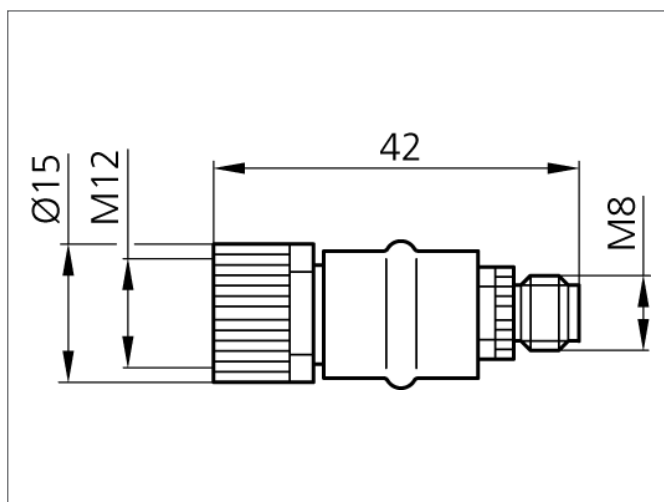
CE



#### Safety instructions

The Instruments are not to be used for safety applications, in particular applications in which safety of persons depends on proper operation of the instruments.

These instruments shall exclusively be used by qualified personnel.



#### TECHNICAL INFORMATION (typ.)

Diseño	recto
Tensión de alimentación	< 24 V con máx. 4,0 A
Técnica de protección	IP 67
material de la carcasa	Plásticos
Connection sensor side	Socket, M12x1, 4-polos
Connection control side	Connector, M8x1, 4-polos