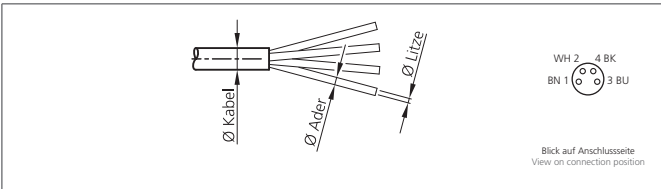
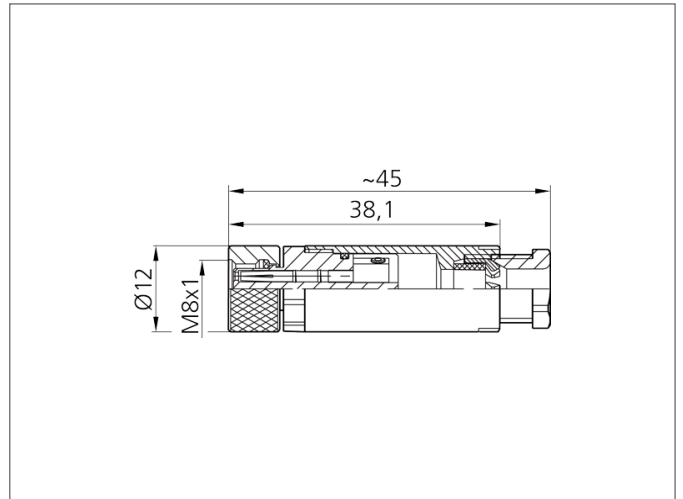


- 塑料外壳
- 金属螺丝
- 连接紧固件
- 高防护等级, IP67



Safety instructions

The Instruments are not to be used for safety applications, in particular applications in which safety of persons depends on proper operation of the instruments.
These instruments shall exclusively be used by qualified personnel.



TECHNICAL INFORMATION (typ.)	
设计	直的
防护等级	IP 67
外壳材料	plastics
Connection sensor side	Socket, M8x1, 4-poled
Connection control side	Field-wireable, Connecting clamps, 4-poled
用于线缆直径	3,5 ... 5,0 mm
辫状	0,25 ... 0,34 mm