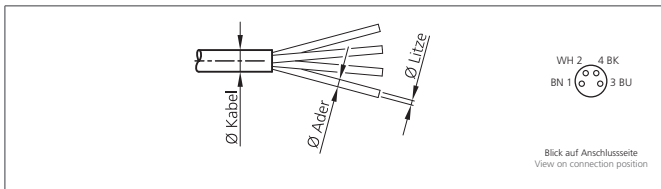


BK-W-8/4 Connector

- Plastic housing
- Metal screw
- Soldered connection
- High protection class by IP 67
- Cable outlet 4 x 90° pivotable



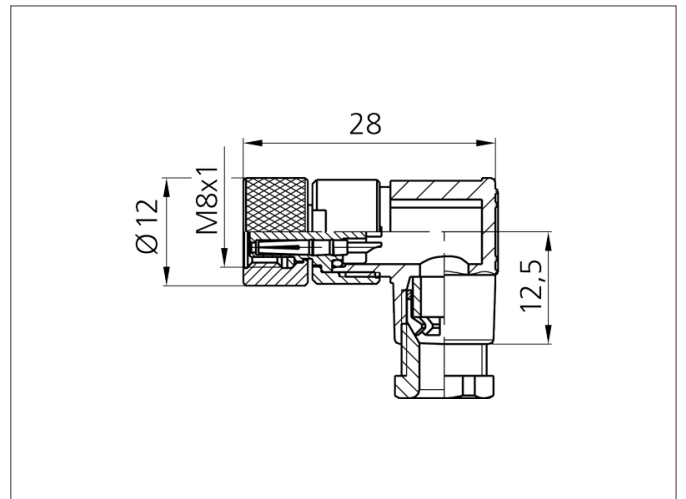
CE



Safety instructions

The Instruments are not to be used for safety applications, in particular applications in which safety of persons depends on proper operation of the instruments.

These instruments shall exclusively be used by qualified personnel.



TECHNICAL INFORMATION (typ.)

Design	angled
Protection class	IP 67
Casing material	plastics
Connection sensor side	Socket, M8x1, 4-poled
Connection control side	Field-wireable, Solder connection, 4-poled
For cable diameters	3,5 ... 5,0 mm
For stranded wire cross section	0,25 ... 0,34 mm ²