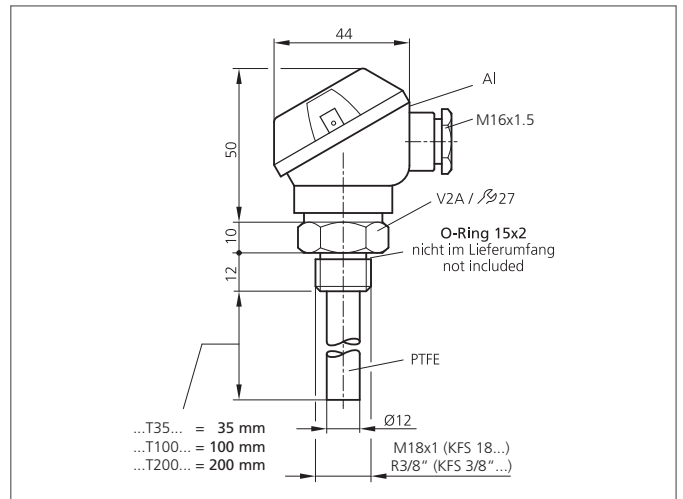


- 对导体、绝缘体和半导体材料的液位控制
- 用聚四氟乙烯制成的探针杆
- 耐高温范围较大
- 高防护等级



Safety instructions

The Instruments are not to be used for safety applications, in particular applications in which safety of persons depends on proper operation of the instruments. These instruments shall exclusively be used by qualified personnel.



| TECHNICAL INFORMATION (typ.) | | +20°C, 24V DC |
|------------------------------|--|--|
| 尺寸 | | M18 x 1 (thread) |
| 特氟龙探头长度 | | 100 mm |
| 最大额定值 | | 100 mA |
| 工作电压 | | 10 ... 35 V DC |
| 内部功耗 | | < 10 mA |
| 开关输出 | | pnp, 100 mA, NO/NC |
| 开关滞后 | | 取决于材料 |
| 压降 | | < 2,0 V |
| 工作频率 | | < 5 Hz |
| 环境温度 | | -30 +100 °C |
| 耐xx温 | | + 125 °C (medium temperature) |
| 绝缘电压 | | 500 V |
| 防护等级 | | IP 67, (connection compartment), IP 68, (probe) |
| 外壳材料 | | stainless steel V4A, (1.4404 / AISI 316L), medium-touching |
| 材料 | | PTFE Teflon (探针杆) |
| 连接 | | clamps |
| 耐压力 | | 10 bar |