

# MB-DIF-R-910

## Difusor

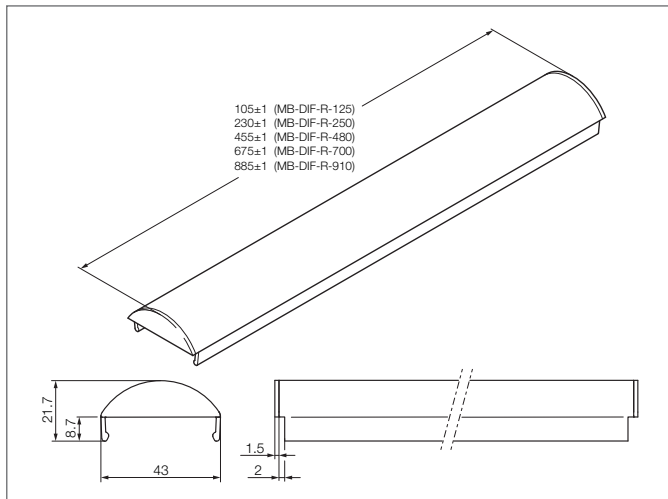
- Filtro difusor
- Para una reducción homogénea de la luz e iluminación
- Montaje rápido y sencillo



### Safety instructions

The Instruments are not to be used for safety applications, in particular applications in which safety of persons depends on proper operation of the instruments.

These instruments shall exclusively be used by qualified personnel.



TECHNICAL INFORMATION (typ.)	+20°C
Fijación	by clamping groove
Área iluminada	43 x 885 mm
Apropiado para	MB-N-91x ..., SB-RGB-91x ..., MB-RGBW-91x ...
Material	PC diffuse (Ventana)
Peso	112 g