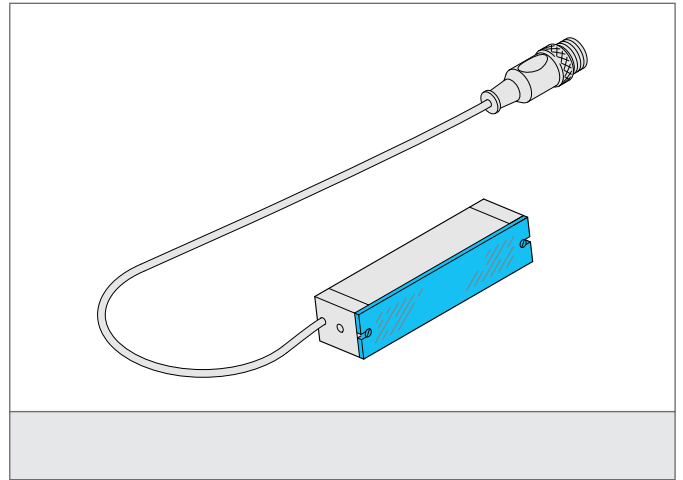


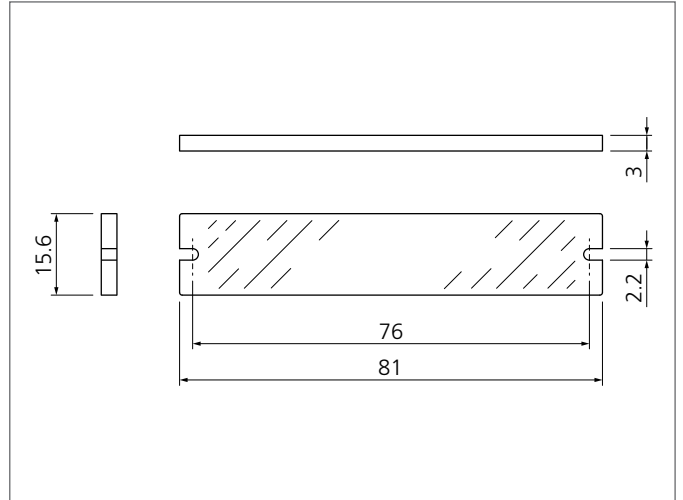
BE 1-A65-CLR
Protective screen

- Quick and easy fix and mounting
- Mounting materials included in scope of delivery



Safety instructions

The Instruments are not to be used for safety applications, in particular applications in which safety of persons depends on proper operation of the instruments.
 These instruments shall exclusively be used by qualified personnel.



TECHNICAL INFORMATION (typ.)		+20°C, 24V DC
Mounting		2 holes
Size		81 x 15.6 x 3 mm (Dimensions)
Illuminated area		65 mm
Shock-/vibration load		10 ... 55 Hz / 1,0 mm / 30 g
Suitable for		Barlights BE 1-A65 ...
Material		PMMA (protective glass)
Scope of delivery		1 protective screen, 2 pan-head screws M2x6 DIN 7985 Zn, cross recess