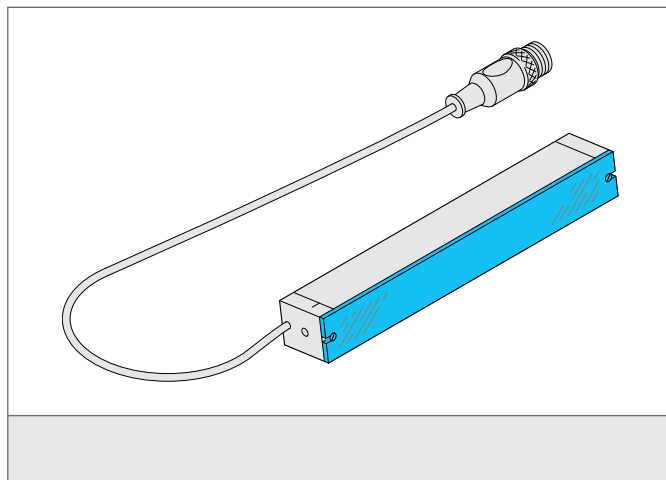


# BE 1-A130-POL-90

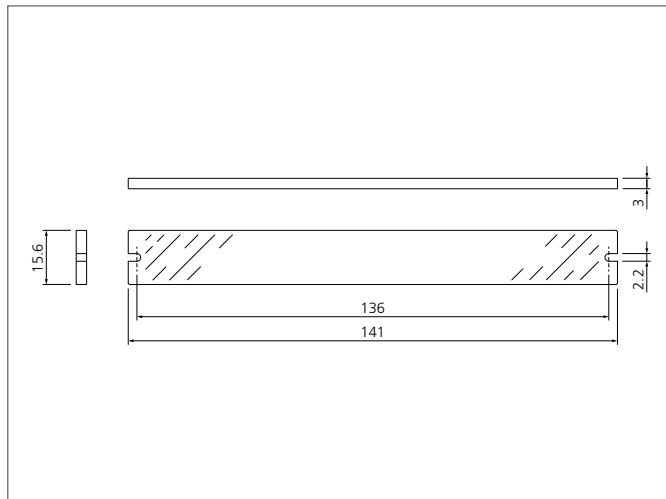
90°

- 偏正滤镜90°
- 减少炫光或热点
- Quick and easy fix and mounting
- 安装材料包含在产品内



### Safety instructions

The Instruments are not to be used for safety applications, in particular applications in which safety of persons depends on proper operation of the instruments.  
These instruments shall exclusively be used by qualified personnel.



TECHNICAL INFORMATION (typ.)	+20°C, 24V DC
安装	2 holes
尺寸	141 x 15.6 x 3 mm (尺寸)
照明区域	130 mm
特征	90° 旋转偏振效应
负载振荡	10 ... 55 Hz / 1.0 mm / 30 g
为了	Barlights BE 1-A130 ...
材料	PMMA (防护玻璃)
传输	42%
交货范围	1 polarisation screen, 2 pan-head screws M2x6 DIN 7985 Zn, cross recess