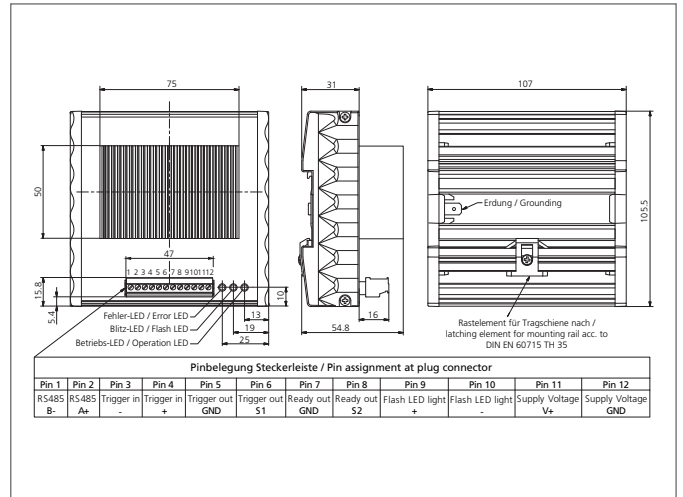
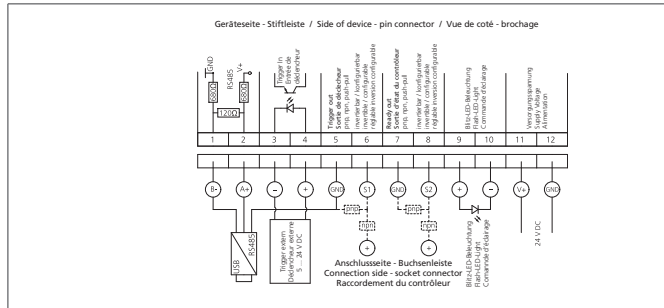


# BC-100-20A

## Flash controller for flashable lighting

- Controlled flash mode for LED-Lighting
- Simple and fast setup with RS485/USB/PC
- Trigger input for external control
- Adjustable delay
- Max. pulse current 20 A
- Pulse times can be adjusted between 10  $\mu$ s ... 50 ms
- Strobe function up to 10 kHz
- Constant current of up to 1.8 A
- Stand by output
- Trigger output for camera systems and peripheral devices



### Safety instructions

The Instruments are not to be used for safety applications, in particular applications in which safety of persons depends on proper operation of the instruments. These instruments shall exclusively be used by qualified personnel.

TECHNICAL INFORMATION (typ.)	+20°C, 24V DC
Service voltage	24 V DC $\pm$ 1V
Trigger input	5 ... 24 V DC, potential-free, optocouplers
Interface	RS 485
Shock-/vibration load	10 ... 55 Hz / 1,0 mm / 30 g
Inverse polarity protection	In pairs by terminal group
Display	LED: green - operation, yellow - flash, red - error
Short-circuit protection	In pairs by terminal group
Ambient temperature, operation	0 ... +40 °C
Protection class	IP 40
Protection degree	III, operation on protective low voltage
Casing material	Aluminium, PA 6.6 FR anodized
Connection	Terminal Blocks, 12-poled
Trigger output	push-pull, pnp (12 V DC), npn (30 V DC), configurable, < 150 mA
Ready output	push-pull, pnp (12 V DC), npn (30 V DC), configurable, < 150 mA
Average / Peak power consumption	< 2,5 A / 6,0 A
LED constant current (configurable)	0,1 ... 1,8 A
LED pulse current (configurable)	0,1 ... 20,0 A
Pulse duration (configurable)	0,01 ... 50 ms
Pulse cycle time (configurable)	100 $\mu$ s ... 60 s
Pulse delay (configurable)	> 50 $\mu$ s (0...2 A) / > 5 $\mu$ s (2...20 A)
Input power	< 55 W (24 V DC)
Number of channels	1