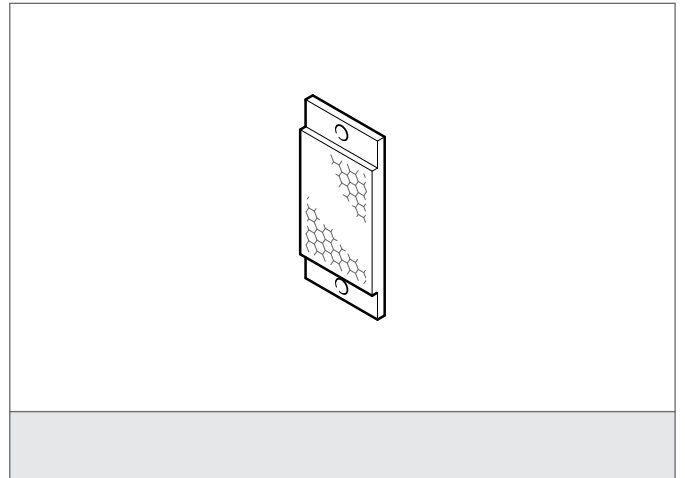


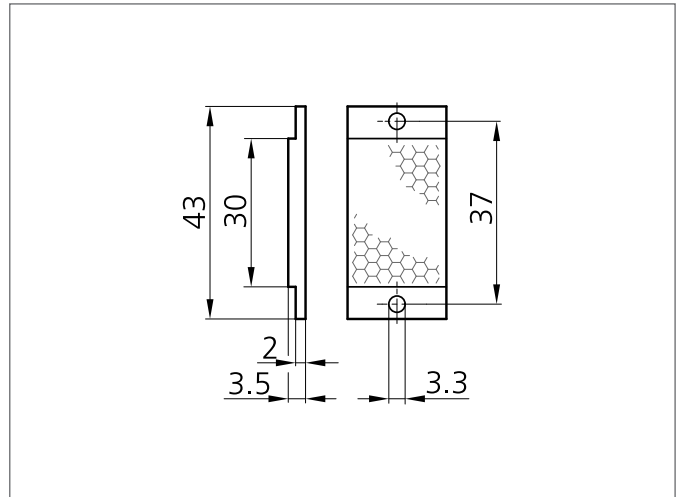
## RL 43x20/110° Reflector

- For laser-light
- Heat-resistant until 110 °C
- Hole Ø3.3 mm (2x)
- Suitable for polarized light



### Safety instructions

The Instruments are not to be used for safety applications, in particular applications in which safety of persons depends on proper operation of the instruments.  
These instruments shall exclusively be used by qualified personnel.



### TECHNICAL INFORMATION (typ.)

Mounting	2 holes
Size	3,5 mm (Height)
Emitted light	Red light laser
Ambient temperature, operation	until 110 °C