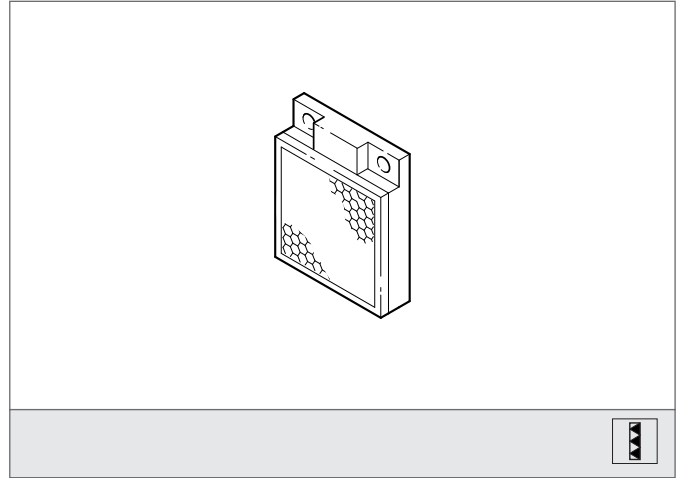


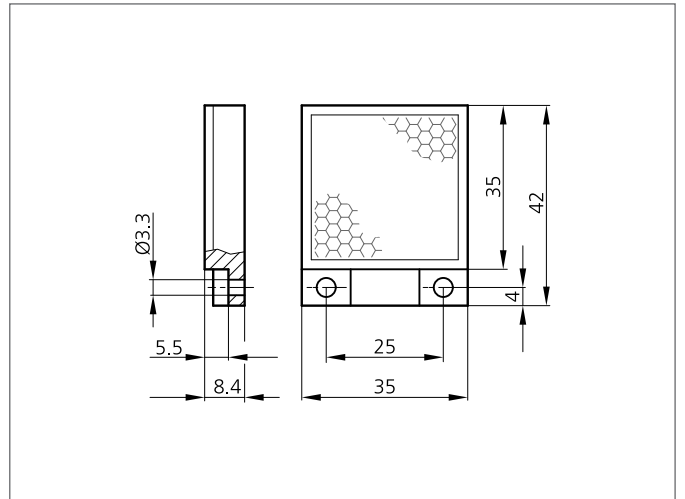
## RL 42x35 Reflector

- For laser-light
- Heat-resistant until 60 °C
- Hole Ø3.3 mm (2x)
- Suitable for polarized light



### Safety instructions

The Instruments are not to be used for safety applications, in particular applications in which safety of persons depends on proper operation of the instruments.  
These instruments shall exclusively be used by qualified personnel.



TECHNICAL INFORMATION (typ.)	+20°C, 24V DC
Mounting	2 holes
Size	42 x 35 mm (Surface) 8,4 mm (Height)
Design	rectangular
Emitted light	Laser
Ambient temperature, operation	until 60 °C
Version	Reflector