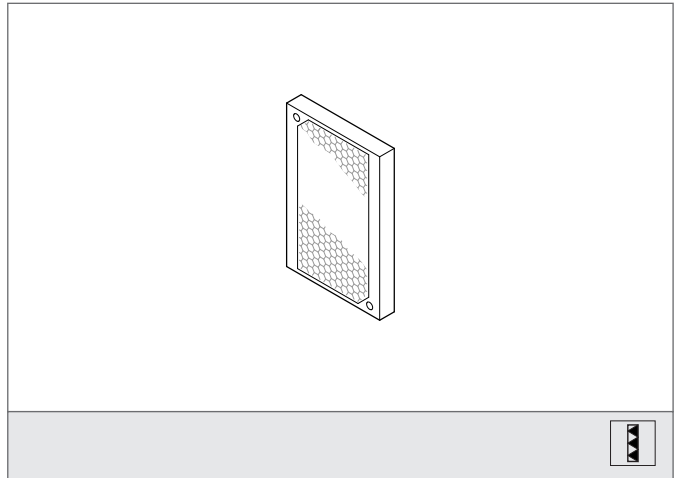
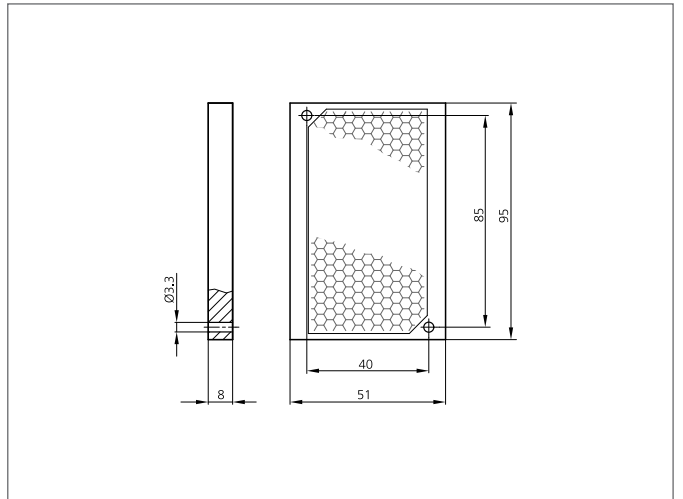


- 适用于红外光和红光
- 耐高温到500 ° C
- 孔 3.3 mm (2x)
- 适用于偏振光



**Safety instructions**

The Instruments are not to be used for safety applications, in particular applications in which safety of persons depends on proper operation of the instruments.  
These instruments shall exclusively be used by qualified personnel.



TECHNICAL INFORMATION (typ.)		+20°C, 24V DC
安装		2 holes
尺寸		51 x 94 mm (Surface) 9 mm (高度)
设计		方形
发射光		红外和红色光
环境温度		可达 500 ° C
模型/型号		反射镜