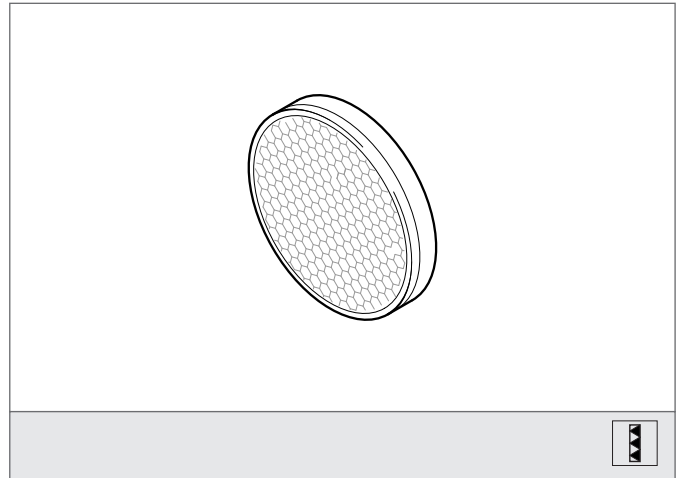
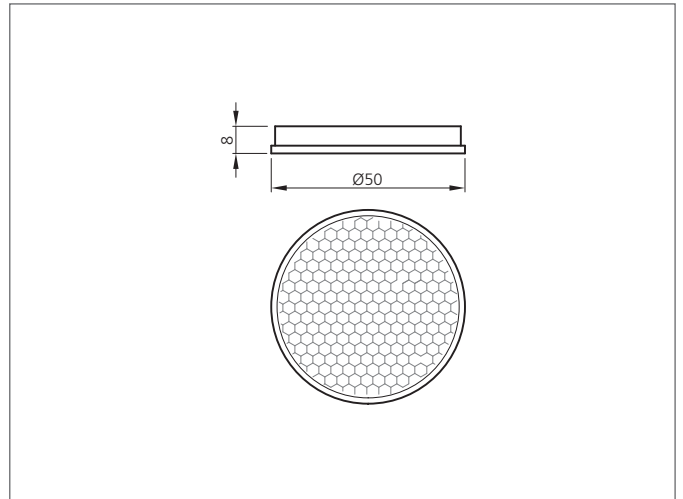


- 适用于红外光和红光
- 抗高温可达 80 ° C
- 可黏贴
- 适用于偏振光



Safety instructions

The Instruments are not to be used for safety applications, in particular applications in which safety of persons depends on proper operation of the instruments.
 These instruments shall exclusively be used by qualified personnel.



TECHNICAL INFORMATION (typ.)		+20°C, 24V DC
安装		adhesive
尺寸		50 mm (直径) 8 mm (高度)
设计		圆形
发射光		红外和红色光
环境温度		-20 +60 ° C
模型/型号		反射镜